



Ajax Dental System Inc.

Price catalog



FDA



CE 0120
ISO 13485:2003
ISO 9001

European
Free Sells
certificate

www.adsequip.com



AJ15 Classic100

Fixed chair mounted with side box(OTP)

- Hydraulic chair
- Narrow backrest
- Compact delivery head with 3 H.P.hoses,1 syringe
- 1 HVE, 1SE, 1 syringe on assistant side
- LED light
- With water bottle system
- Dentist stool and Assistant stool included
- 5 years warranty

Part number: **A9151002**

Retail Price **\$8,000**



AJ15 Classic101

Fixed chair mounted with side box and cuspidor(OTP)

- Hydraulic chair
- Narrow backrest
- Compact delivery head with 3 H.P.hoses,1 syringe
- 1 HVE, 1SE, 1 syringe on assistant side
- LED light
- With water bottle system
- Dentist stool and Assistant stool included
- 5 years warranty

Part number: **A9151012**

Retail Price **\$8,500**



AJ15 Classic200

Swing chair mounted without side box

- Hydraulic chair
- Narrow backrest
- Compact delivery head with 3 H.P.hoses,1 syringe
- 1 HVE, 1SE, 1 syringe on assistant side
- LED light
- With water bottle system
- Dentist stool and Assistant stool included
- 5 years warranty

Part number: **A9152002**

Retail Price **\$9,000**



AJ16 Classic100

Fixed chair mounted with side box(OTP)

- Luxury hydraulic chair
- Wide backrest
- Aluminum base
- Compact delivery head with 3 H.P.hoses,1 syringe
- 1 HVE, 1SE, 1 syringe on assistant side
- LED light
- With water bottle system
- Dentist stool and Assistant stool are included
- 5 years warranty

Part number: **A9161002**

Retail Price **\$9,000**



AJ16 Classic101

Fixed chair mounted with side box and cuspidor(OTP)

- Luxury hydraulic chair
- Wide backrest
- Aluminum base
- Compact delivery head with 3 H.P.hoses,1 syringe
- 1 HVE, 1SE, 1 syringe on assistant side
- LED light
- With water bottle system
- Dentist stool and Assistant stool are included
- 5 years warranty

Part number: **A9161012**

Retail Price **\$9,500**



AJ16 Classic200

Swing chair mounted without side box

- Luxury hydraulic chair
- Wide backrest
- Aluminum base
- Compact delivery head with 3 H.P.hoses,1 syringe
- 1 HVE, 1SE, 1 syringe on assistant side
- LED light
- With water bottle system
- Dentist stool and Assistant stool are included
- 5 years warranty

Part number: **A9162002**

Retail Price **\$10,000**



AJ16 BEYOND300

Fixed chair mounted with side box(OTP)

- Luxury hydraulic chair
- Wide backrest
- Aluminum base
- Luxury intergrated delivery system with 3 H.P.hoses, 1 syringe and touch pad
- 2 HVE, 1SE, assistant tray with touch pad
- LED light
- With water bottle system
- Dentist stool and Assistant stool are included
- 5 years warranty

Part number: **A9163002**

Retail Price **\$10,000**



AJ16 BEYOND301

Fixed chair mounted with side box and cuspidor(OTP)

- Luxury hydraulic chair
- Wide backrest
- Aluminum base
- Luxury intergrated delivery system with 3 H.P.hoses, 1 syringe and touch pad
- 2 HVE, 1SE, assistant tray with touch pad
- LED light
- With water bottle system
- Dentist stool and Assistant stool are included
- 5 years warranty

Part number: **A9163012**

Retail Price **\$10,500**



AJ16 BEYOND400

Swing chair mounted without side box

- Luxury hydraulic chair
- Wide backrest
- Aluminum base
- Luxury intergrated delivery system with 3 H.P.hoses, 1 syringe and touch pad
- 2 HVE, 1SE, assistant tray with touch pad
- LED light
- With water bottle system
- Dentist stool and Assistant stool are included
- 5 years warranty

Part number: **A9164002**

Retail Price **\$11,000**



AJ16 BEYOND401

Swing chair mounted with side box and cuspidor

- Luxury hydraulic chair
- Wide backrest
- Aluminum base
- Luxury intergrated delivery system with 3 H.P.hoses, 1 syringe and touch pad
- 2 HVE, 1SE, assistant tray with touch pad
- LED light
- With water bottle system
- Dentist stool and Assistant stool are included
- 5 years warranty

Part number: **A9164012**

Retail Price **\$12,000**



AJ17 EL Pedo Package

Fixed chair mounted with side box and cuspidor(OTP)

- Electric motor chair
- Little size for kids from 3 to 12 years old
- Power driven up down telescoped backrest
- Classic 101 delivery system
- Compact delivery head with touch pad
- Dentist stool and Assistant stool are included
- Shown with monitor bracket (Optional)
- 5 years warranty

Part number: **A9170021**

Retail Price **\$8,000**



AJ17 EL Pedo Package

Mobile cart system

- Electric motor chair
- Little size for kids from 3 to 12 years old
- Power driven up down telescoped backrest
- 1 HVE, 1SE, 3 H.P. hoses, 1 syringe
- Dentist stool and Assistant stool are included
- 5 years warranty

Part number: **A9170011**

Retail Price **\$8,000**



AJ19 EL Pedo Bench Package

Fixed chair mounted with side box and cuspidor(OTP)

- Electric motor chair
- Bench chair with light
- Classic 101 delivery system
- Compact delivery head with touch pad
- Dentist stool and Assistant stool are included
- 5 years warranty

Part number: **A9190021**

Retail Price **\$8,400**



AJ19 EL Pedo Bench Package

Mobile cart system

- Electric motor chair
- Bench chair with light
- 1 HVE, 1SE, 3 H.P. hoses, 1 syringe
- Dentist stool and Assistant stool are included
- 5 years warranty

Part number: **A9190011**

Retail Price **\$8,400**



AJ12 EL Hygiene 50

Fixed chair mounted with side box(OTP)

- Electric motor chair
- Hygiene delivery head with 1 HVE, 1SE, 3 H.P. hoses and touch pad
- LED light
- With water bottle system
- One Dentist stool is included
- 5 years warranty

Part number: **A9120501**

Retail Price **\$6,000**



AJ12 EL Hygiene 51

Fixed chair mounted with side box and cuspidor (OTP)

- Electric motor chair
- Hygiene delivery head with 1 HVE, 1SE, 3 H.P. hoses and touch pad
- LED light
- With water bottle system
- One Dentist stool is included
- 5 years warranty

Part number: **A9120511**

Retail Price **\$6,500**



Orthodontic Package

AJ12 EL Orthodontic Package

Chair mounted with light, orthodontic mobile cabinet

- Electric motor chair
- LED light
- One Dentist stool is included

Part number: **A9120011**

Retail Price **\$6,540**



Orthodontic Mobile Cabinet

Large storage capacity

Part number: **A0504550**

Retail Price **\$1,900**



Mobile Cart

- With large table
- 1 HVE, 1 SE, 3 H.P. hoses, 1 syringe
- With water bottle system
- With junction box

Part number: **A0504551**

Retail Price **\$1,700**



AJ12 EL Chair

Electric motor chair with wide backrest

Part number: **A091201**

Retail Price **\$3,400**



AJ15 Chair

Hydraulic Patient Chair
Narrow backrest, stamping steel backrest stand

Part number: **A091502**

Retail Price **\$4,600**



AJ16 Chair

Luxury Hydraulic Patient Chair
Wide backrest, Aluminum backrest stand
Aluminum base

Part number: **A091602**

Retail Price **\$5,600**



AJ17 EL Pedo Chair

Electric motor chair
Little size for kids from 3 to 12 years old
Power driven up down telescoped backrest

Part number: **A091701**

Retail Price **\$3,800**



AJ19 EL Pedo Bench

Electric motor chair
Bench chair with up down movement

Part number: **A091901**

Retail Price **\$3,800**



AJ12 EL Orthodontic Chair with light

- Electric motor chair
- LED light
- Fixed chair mounted with light

Part number: **A9120021**

Retail Price **\$4,300**



AJ15 Orthodontic Chair

- Hydraulic chair
- Narrow backrest
- LED light
- Fixed chair mounted with light

Part number: **A9150012**

Retail Price **\$5,500**



AJ16 Orthodontic Chair

- Luxury hydraulic chair
- Wide backrest
- Aluminum base
- LED light
- Fixed chair mounted with light

Part number: **A9160012**

Retail Price **\$6,500**



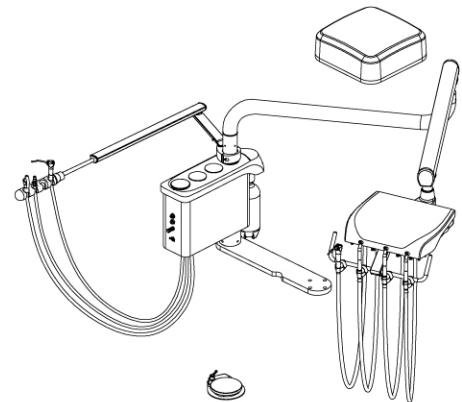
Classic 100

OTP without cuspidor

- Compact delivery head with 3 H.P. hoses, 1 syringe
- 1 HVE, 1SE, 1 syringe on assistant side
- With water bottle system
- Water and air inlet on sidebox

Part number: **A0711001**

Retail Price **\$2,080**



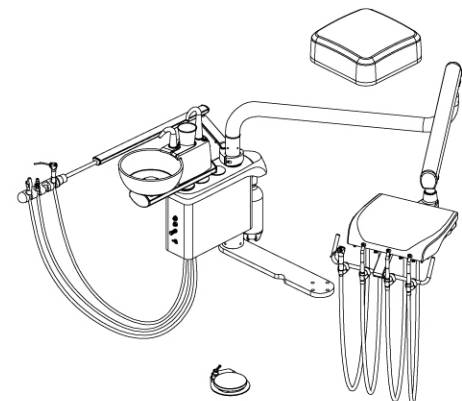
Classic 101

OTP with cuspidor

- Compact delivery head with 3 H.P. hoses, 1 syringe
- 1 HVE, 1SE, 1 syringe on assistant side
- With water bottle system
- Water and air inlet on sidebox

Part number: **A0711011**

Retail Price **\$2,580**



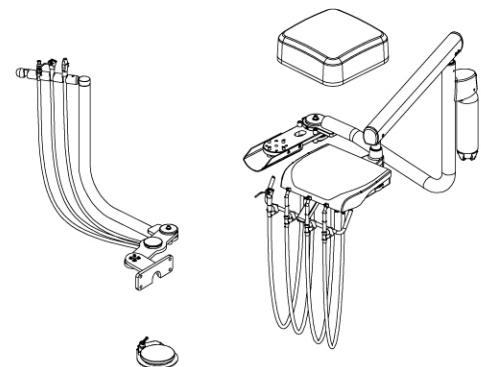
Classic 200

Swing type without cuspidor

- Compact delivery head with 3 H.P. hoses, 1 syringe
- 1 HVE, 1SE, 1 syringe on assistant side
- With water bottle system

Part number: **A0712003**

Retail Price **\$3,080**



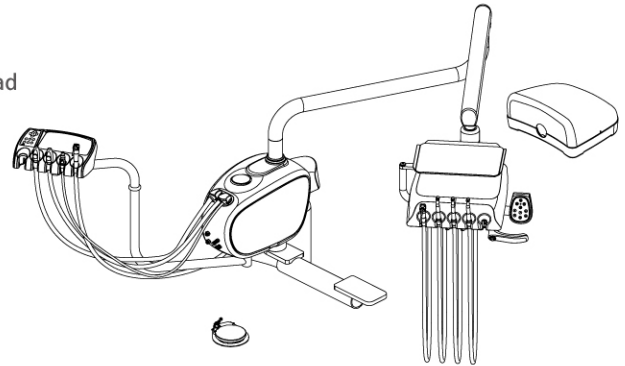
Beyond300

OTP without cuspidor

- Luxury intergrated delivery head with 3 H.P. hoses, 1 syringe and touch pad
- Assistant tray with 2 HVE, 1 SE, 1 syringe and touch pad
- Internal running pipes
- Water and air inlet on side box

Part number: **A0723002**

Retail Price **\$3,080**



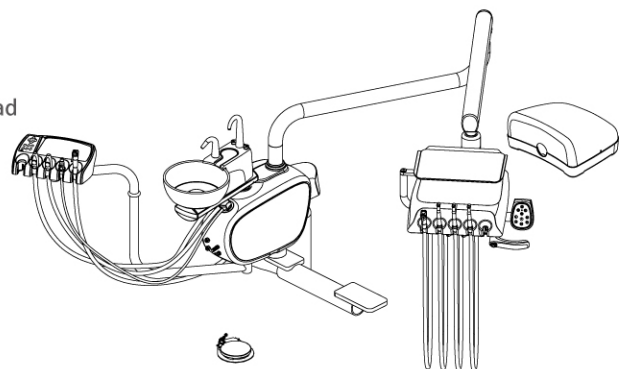
Beyond301

OTP with cuspidor

- Luxury intergrated delivery head with 3 H.P. hoses, 1 syringe and touch pad
- Assistant tray with 2 HVE, 1 SE, 1 syringe and touch pad
- Internal running pipes
- Water and air inlet on side box

Part number: **A0723012**

Retail Price **\$3,580**



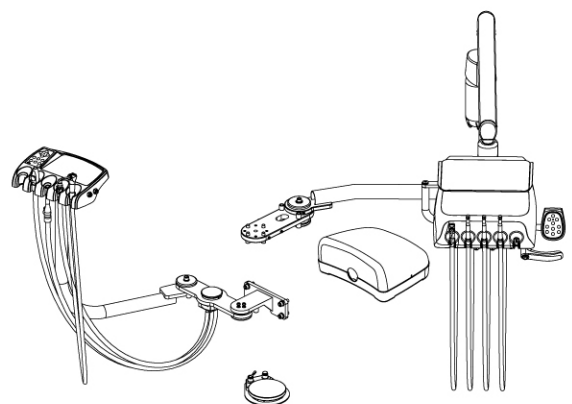
Beyond400

Swing type without cuspidor

- Luxury intergrated delivery head with 3 H.P. hoses, 1 syringe and touch pad
- Assistant tray with 2 HVE, 1 SE, 1 syringe and touch pad
- Internal running pipes
- Water and air inlet on assistant tray

Part number: **A0724003**

Retail Price **\$4,080**



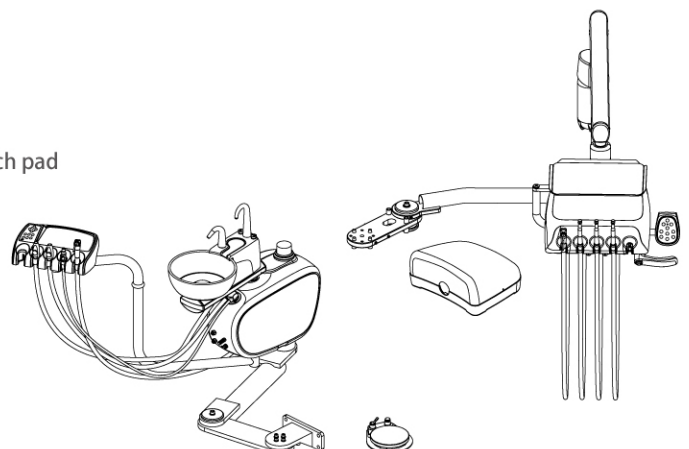
Beyond401

Swing type with side box and cuspidor

- Luxury intergrated delivery head with 3 H.P. hoses, 1 syringe and touch pad
- Assistant tray with 2 HVE, 1 SE, 1 syringe and touch pad
- Internal running pipes
- Water and air inlet on side box

Part number: **A0724012**

Retail Price **\$5,080**



Whale LED dental light

Includes transformer
Installs on any dental chair

- Touchless sensor switch
- 3-axis rotation
- Illuminance: from 8000 up to 30000Lux
- Three level adjustable illuminance
- Color temperature: 5000-5500K
- Power connection: AC 12V or 24V
- Power consumption less than 15W



Post mount

Post mount LED sensor operatory light with transformer

Part number: **A0602600**

Retail Price **\$800**



Compass mount

Compass mount LED sensor operatory light with transformer

Part number: **A0603600**

Retail Price **\$1,000**



Ceiling mount

Ceiling mount LED sensor operatory light with transformer

Part number: **A0601600**

Retail Price **\$1,200**



Fiber Optic Control Board

For maximum 2 tubings

Part number: **A120101**

Retail Price **\$160**



Fiber Optic Tubing

Part number: **A120201**

Retail Price **\$120**



LED.G curing light (Build-in Type) 110V

Part number: **A120301**

Retail Price **\$360**



Scaler (UDS-N2 Build-in Type) 110V

Part number: **A120401**

Retail Price **\$480**



Monitor bracket

Part number: **A120501**

Retail Price **\$480**



Touch Pad Control

Part number: **A120601**

Retail Price **\$360**



HVE set

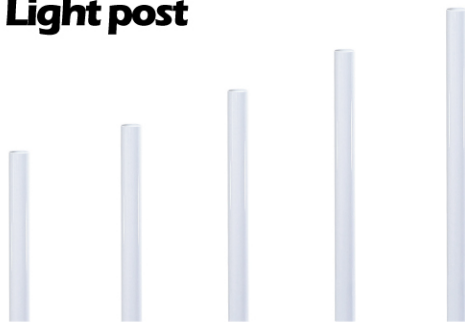
(Handle, tubing)

Part number: **A121301**

Retail Price **\$60**

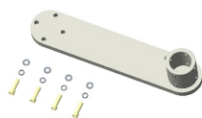


Light post



Specification	Part number	Retail Price
24"x2"	A11124	\$170
30"x2"	A11130	\$170
40"x2"	A11140	\$170
45"x2"	A11145	\$170
48"x2"	A11148	\$170

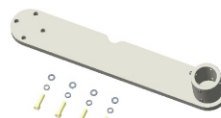
Chair adapter



For AJ12 Chair / Pedo chair

Part number: **A11201**

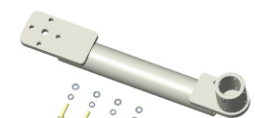
Retail Price **\$300**



For AJ15 orthodontic chair/
AJ16 orthodontic chair/
Classic 100/Classic101

Part number: **A11202**

Retail Price **\$300**



For Beyond300/
Beyond301

Part number: **A11203**

Retail Price **\$300**

D3 Doctor stool

6 Functions control
Ergonomic cushion
Quiet wheels
Cast aluminum star

Part number: **A080103**

Retail Price **\$360**



N2 Assistant stool

Fiber leather cushion
Unmovable armrest
Cast aluminum star
Foot rack

Part number: **A080222**

Retail Price **\$400**



Upholstery Colors

Fiber leather

Retail Price **\$550**



U1 Brown

U2 Champagne

U3 Blue

U4 Green

U5 Grey

U6 Cobalt Blue



U7 Misty Grey

U8 Orange

U9 Red

U10 Wine Red

U11 Grass Green

U12 Lemon Yellow

U13 Pink

Part number	Name
91201U	AJ12 Chair Upholstery Color U1 Brown
91202U	AJ12 Chair Upholstery Color U2 Champagne
91203U	AJ12 Chair Upholstery Color U3 Blue
91204U	AJ12 Chair Upholstery Color U4 Green
91205U	AJ12 Chair Upholstery Color U5 Grey
91206U	AJ12 Chair Upholstery Color U6 Cobalt Blue
91207U	AJ12 Chair Upholstery Color U7 Misty Grey
91208U	AJ12 Chair Upholstery Color U8 Orange
91209U	AJ12 Chair Upholstery Color U9 Red
91210U	AJ12 Chair Upholstery Color U10 Wine Red
91211U	AJ12 Chair Upholstery Color U11 Grass Green
91212U	AJ12 Chair Upholstery Color U12 Lemon Yellow
91213U	AJ12 Chair Upholstery Color U13 Pink

Part number	Name
91601U	AJ16 Chair Upholstery Color U1 Brown
91602U	AJ16 Chair Upholstery Color U2 Champagne
91603U	AJ16 Chair Upholstery Color U3 Blue
91604U	AJ16 Chair Upholstery Color U4 Green
91605U	AJ16 Chair Upholstery Color U5 Grey
91606U	AJ16 Chair Upholstery Color U6 Cobalt Blue
91607U	AJ16 Chair Upholstery Color U7 Misty Grey
91608U	AJ16 Chair Upholstery Color U8 Orange
91609U	AJ16 Chair Upholstery Color U9 Red
91610U	AJ16 Chair Upholstery Color U10 Wine Red
91611U	AJ16 Chair Upholstery Color U11 Grass Green
91612U	AJ16 Chair Upholstery Color U12 Lemon Yellow
91613U	AJ16 Chair Upholstery Color U13 Pink

91501U	AJ15 Chair Upholstery Color U1 Brown
91502U	AJ15 Chair Upholstery Color U2 Champagne
91503U	AJ15 Chair Upholstery Color U3 Blue
91504U	AJ15 Chair Upholstery Color U4 Green
91505U	AJ15 Chair Upholstery Color U5 Grey
91506U	AJ15 Chair Upholstery Color U6 Cobalt Blue
91507U	AJ15 Chair Upholstery Color U7 Misty Grey
91508U	AJ15 Chair Upholstery Color U8 Orange
91509U	AJ15 Chair Upholstery Color U9 Red
91510U	AJ15 Chair Upholstery Color U10 Wine Red
91511U	AJ15 Chair Upholstery Color U11 Grass Green
91512U	AJ15 Chair Upholstery Color U12 Lemon Yellow
91513U	AJ15 Chair Upholstery Color U13 Pink

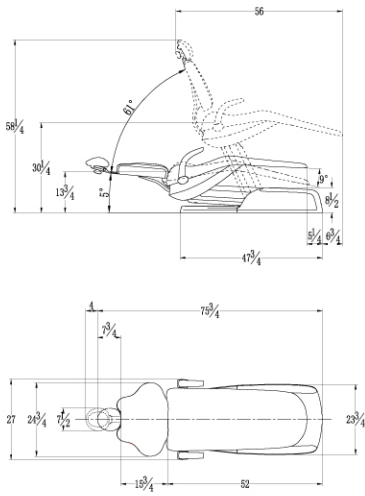
Pedo chair with only 4 colors

91703U	AJ17 Chair Upholstery Color U3 Blue
91704U	AJ17 Chair Upholstery Color U4 Green
91712U	AJ17 Chair Upholstery Color U12 Lemon Yellow
91713U	AJ17 Chair Upholstery Color U13 Pink

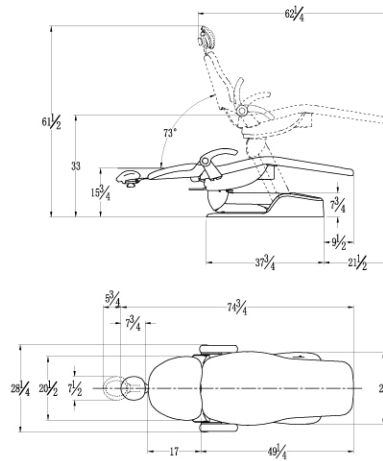
91903U	AJ19 Chair Upholstery Color U3 Blue
91904U	AJ19 Chair Upholstery Color U4 Green
91912U	AJ19 Chair Upholstery Color U12 Lemon Yellow
91913U	AJ19 Chair Upholstery Color U13 Pink

Units: inch

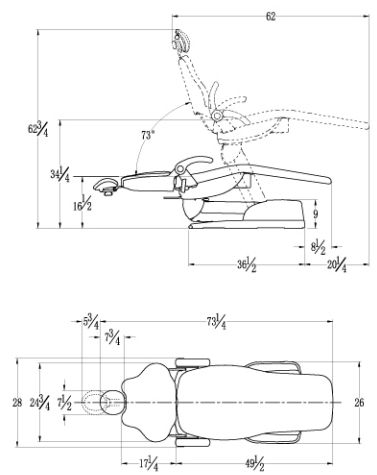
AJ12 Chair



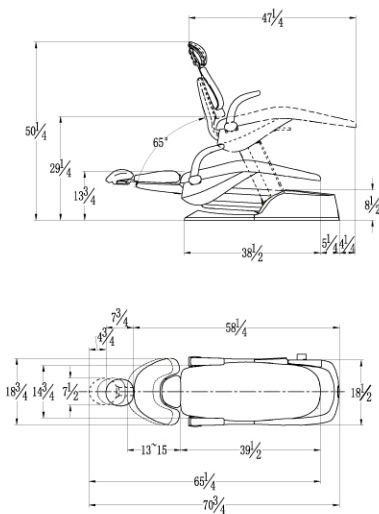
AJ15 Chair



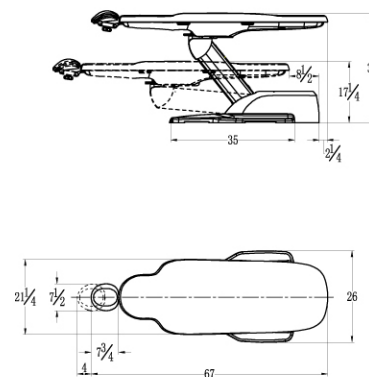
AJ16 Chair



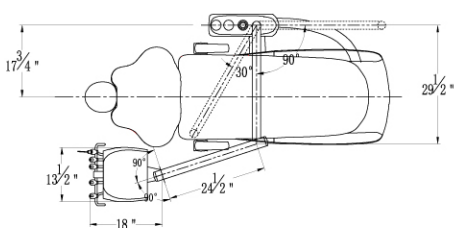
AJ17 Chair



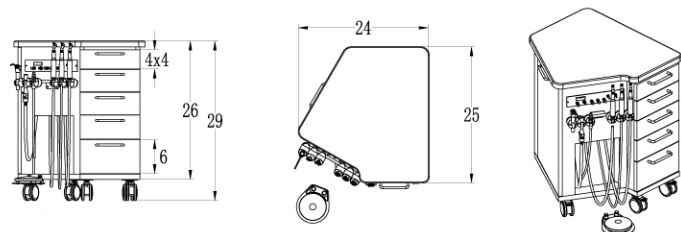
AJ19 Chair



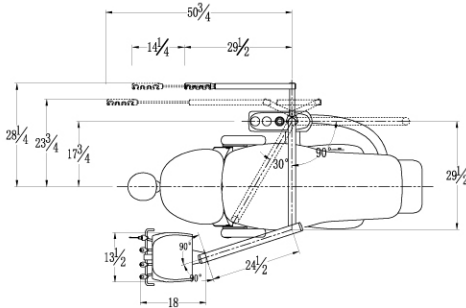
AJ12 EL Hygiene 50



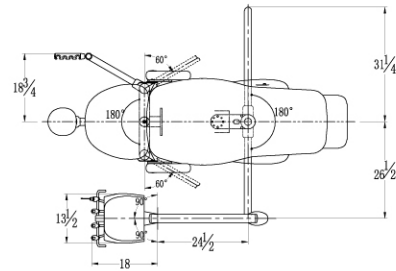
Orthodontic Mobile Cabinet



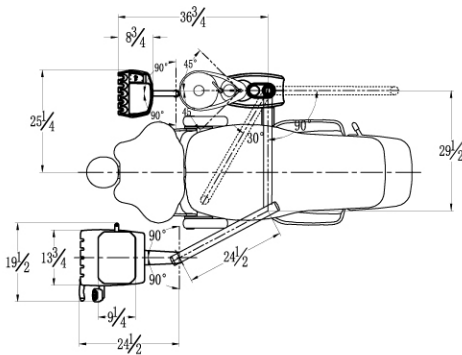
AJ15 Classic100



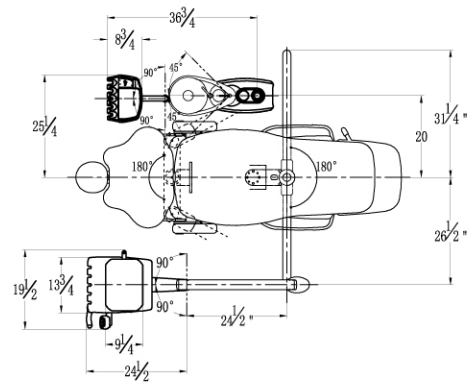
AJ15 Classic200



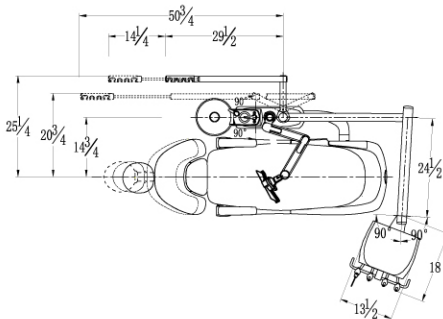
AJ16 Beyond300



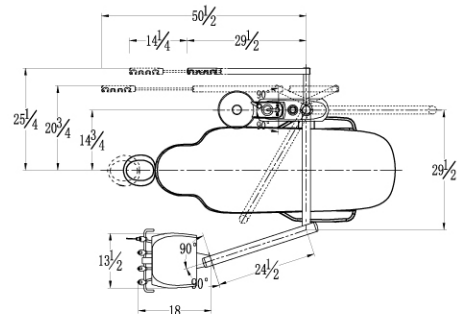
AJ16 Beyond401



AJ17 EL Pedo (OTP)



AJ19 EL Pedo Bench (OTP)



*** Manufacturer warranty**

- All products sold to and installed by authorized ADS dealers are warranted against defects in materials and workmanship for a period of five (5) years from date of purchase.
- Patient chair and hydraulic system are guaranteed for five (5) years after date of purchase, subject to installation and service qualification.
- Upholstery is guaranteed for one (1) year under normal use and services after date of purchase.
- Delivery system is guaranteed for five (5) years after date of purchase.
- Dental light is guaranteed for two (2) year after date of purchase.
- Cabinet is guaranteed for one (1) year after date of purchase.
- Fiber optic hand-piece tubing has six (6) months warranty after date of purchase.
- Faulty parts will be repaired or replaced as determined by dealer service representative. No claim for labor or consequential damages will be allowed.
- The warranty does not cover damage from improper installation or maintenance, misuse, or accidents incurred in shipping.