



**2018**  
**CATALOG**  
DURABILITY BY DESIGN



Rick Whitman  
President



Jeff Bunker  
Vice President, Sales



Pam Lawrence  
Customer Service



Angie Atkinson  
Accounting

---

115 S. Elliott Rd.  
Newberg, OR 97132  
U.S.A  
800.237.2303

---



Angela Cretsinger  
Graphics

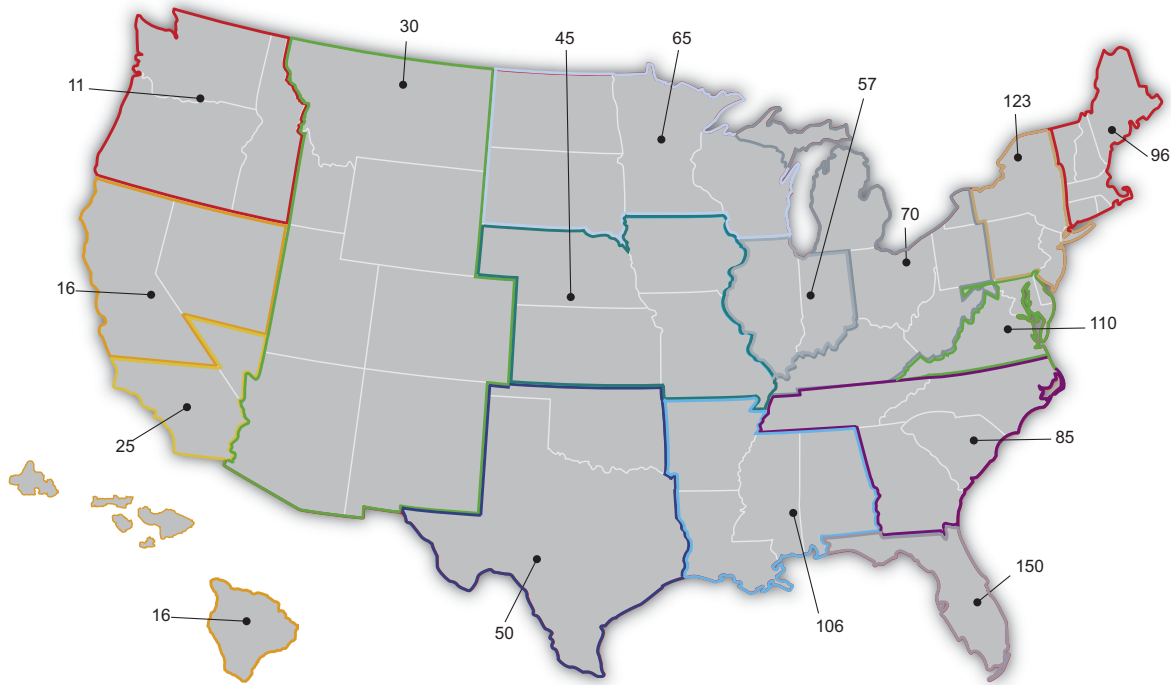
### *Mission Statement*

---

At BDS, our mission is to manufacture the most efficient equipment possible. Our product line is built to use, and will stand the test of time. Since 1970 we have provided reliable, durable products that are hand built in Oregon. We offer a wide variety of operatory configurations, all of it simple and built to last. Whether it's an individual handpiece control or a full operatory, our focus is function. With products that can easily fit any budget, our line is both cost effective and diverse. At BDS, we give you the longevity you deserve.

From operatory packages to specialty units or individual components, we take great pride in all phases of production. Our technicians are skilled, experienced, and detail oriented. BDS products are backed by the industry's best warranty, and even include a personalized, signed photo from your technician. Enjoy the peace of mind that comes from knowing exactly who built your equipment and where it came from.

At BDS, you can find something new every day. Our savvy customer service team is standing by to answer any question that you may have, from initial inquiries to installation. Visit us at [www.beaverstatedental.com](http://www.beaverstatedental.com), and see what we can do for you today!



**Please visit [www.beaverstatedental.com](http://www.beaverstatedental.com) for up to date information regarding territory managers and their contact information.**

**Territory 11**

Oregon, Washington & Western Idaho

**Territory 45**

Nebraska, Kansas, Iowa & Missouri

**Territory 70**

Western Pennsylvania, Ohio, Kentucky, West Virginia & New York (Buffalo & Rochester only) Michigan

**Territory 110**

Maryland, Delaware, Virginia & Washington D.C.

**Territory 16**

Northern California, Hawaii & Nevada (Reno/Sparks)

**Territory 50**

Texas, Oklahoma

**Territory 85**

North Carolina, South Carolina, Georgia

**Territory 123**

New York (except Buffalo & Rochester), New Jersey & Eastern Pennsylvania

**Territory 25**

Southern California & Nevada (Las Vegas)

**Territory 57**

Illinois, Indiana

**Territory 96**

Maine, Connecticut, Rhode Island, New Hampshire, Massachusetts & Vermont

**Territory 135**

Ontario, Quebec & Maritimes

**Territory 30**

Wyoming, Colorado, Montana, Eastern Idaho, Utah, New Mexico & Arizona

**Territory 65**

North Dakota, South Dakota, Minnesota, Wisconsin

**Territory 106**

Arkansas, Alabama, Tennessee, Mississippi & Louisiana

**Territory 150**

Florida

**Territory 125**

British Columbia, Alberta, Saskatchewan & Manitoba

## Warranty:

Beaverstate Dental warranties its product to be free of defects in material and workmanship for FIVE FULL YEARS from the date of purchase on all units. Auto-blocks and standard foot controls are covered by a LIFETIME warranty when factory installed as part of a complete dental system. Warranty is limited to repair or replacement by Beaverstate Dental. Products returned to the factory and determined to be defective will be repaired or replaced free of charge at discretion of Beaverstate Dental. The warranty does not cover light bulbs. Beaverstate Dental reserves the right to void all warranties if any product is installed by other than an authorized technician. Beaverstate's warranty does not cover damage to any surface finish, including but not limited to, discoloration or abrasion from cleaners, disinfectants or light sources. No claim for labor or consequential damages will be allowed. Return items must include a copy of the invoice or packing slip as proof of purchase.



## Shipping:

All prices are F.O.B. Newberg Oregon, U.S.A.  
Standard shipping will be by UPS ground. Air or expedited service is available upon request.

## Minimum Order Handling Fee:

All orders less than \$10.00 will have an additional \$10.00 fee.

## Terms:

Net 30 days, with approved credit. A 1-1/2% interest charge may be applied monthly to past due accounts. VISA, Mastercard, American Express and Discover Card are accepted. When using credit cards, a 3% (of invoice) transaction fee will apply.



## Returned Merchandise:

Merchandise may not be returned without prior authorization. Shipping must be prepaid. A restocking fee of \$15.00 or 15%, whichever is greater, may be charged for non-warranty related merchandise returns. Call our customer service to obtain an authorization number and additional return information. Returns Authorizations are valid for 90 days. No returns on custom or special order items, including non-standard upholstery colors, will be accepted. Any shortages in shipment must be filed with Beaverstate Dental within 5 working days of receipt of shipment. Claims for items damaged in transit must be filed directly with the carrier by the receiver.

## Customer Service:

Available Monday thru Friday, 6:30 AM to 4:30 PM, Pacific Standard Time.

Look for this symbol indicating new items to our product line or changes to our policies.



**115 S. Elliott Rd.**  
**Newberg, Oregon 97132 U.S.A.**  
**800.237.2303**  
**www.beaverstatedental.com**  
**sales@beaverstatedental.com**

Beaverstate Dental makes no representation as to the disinfection efficacy of any disinfectant product. Questions regarding product efficacy should be directed to the specific manufacturer of that product. We make no warranty expressed or implied regarding any damage resulting from the use of any disinfectant. Damage and/or discoloration of any surface is not covered by our warranty.

There are many products and techniques for infection control that are presently available on the market.

The **BARRIER TECHNIQUE METHOD** has proven to be effective in the preservation of the surface finish and appearance of your new equipment. Disposable barrier products should be used and changed between each patient. Consult your full service dental dealer for information regarding disposable barrier products.

The **CHEMICAL DISINFECTION METHOD** is an effective means of disinfection, but care is needed in the mixing and use of the products. To minimize the accumulation of chemical residues on your new equipment, you must wash your equipment daily with a solution of warm water and mild soap. When mixing any cleaning or disinfecting chemical product, care should be taken to follow the manufacturers instructions regarding mixing and use. If recommended ratios of dilution are not followed, non-damaging chemical may become corrosive and damage surface finishes. Consult your full service dental dealer for information regarding chemical disinfecting and cleaning products.

Non acceptable disinfectants and cleaners include: Household bleach @ 5.25%, Ethyl alcohol, alcohol-based phenols, household cleaners and strong phenols or alcohol-phenol combinations. The use of iodine based products has been known to stain painted and upholstered surfaces.

**DAMAGE OR DISCOLORATION OF SURFACE FINISHES IS NOT  
COVERED UNDER THE BEAVERSTATE WARRANTY.**

### **HANDPIECE TUBING PURGE (FLUSH) SYSTEM**

Many BDS units include a Handpiece Tubing Purge system to allow water to flush through the handpiece tubing faster than normal operation with a handpiece installed. When using the handpiece tubing purge system, the handpieces should not be connected to the tubing.

It is recommended that the tubings be purged at the beginning of each day for 2-3 minutes. Tubings should also be purged between patients for approximately 20-30 seconds.

To purge the handpiece tubings, remove all handpieces and handpiece couplers from the handpiece tubings. Locate the momentary handpiece purge toggle on the control head. Gather all the tubings that use water coolant and hold them over a water receptacle being sure to direct the end of the tubings away from yourself and directed into the receptacle. Move the toggle to the on position and hold in this position for the desired time. Water will only flow while the toggle is held. After the appropriate amount of time, release the toggle and place the handpiece tubings back in the correct holders.

### **WATER BOTTLE SYSTEMS**

BDS offers a variety of water bottle systems to supply water to handpieces and syringes. Using a bottle system allows the operator to control the quality of the treatment water in the dental unit.

When **FLUSHING UNIT LINES AND WATER BOTTLE SYSTEMS**, care must be taken. If a powdered flushing product that requires mixing with water is used, the powder must be thoroughly dissolved in the water. Improper mixing will cause solution particulates. These particulates may cause residual debris in the water lines which will cause the dental system to not work properly.

Once you have established a product you prefer and protocol for usage, it is recommended that your water line quality be tested to assure you meet dental water line quality standards.

BDS water bottles cannot withstand heat sterilization. Attempting to do so will damage the bottle rendering it unusable. BDS bottles can be cleaned with anti-bacterial dish soap and hot water if required. There are also many products on the market that can be used to disinfect the bottles and the complete system. When using these products it is important to follow the manufacturers instructions and guidelines to assure proper treatment and operation of the dental unit.

**BEAVERSTATE DENTAL MAKES NO REPRESENTATION AS TO THE DISINFECTION EFFICACY OF ANY DISINFECTANT PRODUCT. QUESTIONS REGARDING PRODUCT EFFICACY SHOULD BE DIRECTED TO THE SPECIFIC MANUFACTURER OF THAT PRODUCT. WE MAKE NO WARRANTY EXPRESSED OR IMPLIED REGARDING ANY DAMAGE RESULTING FROM THE USE OF ANY DISINFECTANT. DAMAGE AND/OR DISCOLORATION OF ANY SURFACE IS NOT COVERED BY OUR WARRANTY.**

<b>Operatories</b>	Mounts and Bushings.....	93
Helix Operatory System .....	Shelves and Trays .....	94
Northwest Operatory System .....	Vacuum Accessories .....	95-97
Evergreen Operatory System .....	Vacuum Accessories and Switches.....	98
Columbia Operatory System.....	Handpiece Holders.....	99-100
Sierra Operatory System.....	Holder Bars and Auto-Blocks.....	101
Mt. Hood Operatory System.....	Valves .....	102-103
McKenzie Operatory System.....	Syringes .....	104
Cascade Operatory System .....	Syringe Parts and Accessories .....	105
S-3620 Duo Over the Patient System .....	Utility Center and Master Valves.....	106
S-3621 Duo Over the Patient System.....	Water Bottle Systems .....	107
Epic Operatory Chair.....	Water Bottle Accessories .....	108
Stools.....	Foot Controls.....	109
<b>Units</b>	Handpiece Tubing and Connectors .....	110
Over the Patient Systems .....	Syringe and Foot Control Tubing.....	111
Beneath Shelf Mounted System.....	Supply and Vacuum Tubing.....	112
Cabinet Mounted Systems.....	Handpiece Illumination, 5 Pin (ISO-B) .....	113
Rear Delivery Systems .....	Handpiece Illumination, 6 Pin (ISO-C).....	114
Cart Systems.....	Fittings.....	115
Handpiece Control Heads .....	Fittings and Quick Disconnects.....	116
Beside the Patient System .....	Filters and Gauges.....	117
Wall Mounted Handpiece Controls .....	Cart Accessories .....	118
Panel Mounted Handpiece Controls.....	Aerolight Replacement Parts .....	119
<b>Cuspidors</b>	Celux Light Replacement Parts .....	120
Cuspidors .....	Posts and Accessories.....	121
<b>Operatory Lights</b>	Chair Adapters and Cuspidor Accessories ..	122
LED, Post Mount .....	Gauges and Service Items.....	123
Celux Operatory Light, Post Mount .....	O-rings.....	124
<b>Vacuum Arms &amp; Kits</b>	Shipping Dimensions .....	125
Vacuum Arm Systems .....	Index .....	125-129
Vacuum Kits .....	Upholstery Color Selection Guide .....	130-131
<b>Components</b>		
Arm Systems.....		91
Arms and Brackets.....		92



## Helix Operatory System

Operatory System (as shown)..... Operatory Price \$16,595.00

### Unit Package Features

400-008	Swing Post and Bracket with Left/Right Swing Post Assembly (not shown separately) .....	\$1,250.00
H-3600	3 Handpiece Automatic Control, Top Post Mount System (not shown separately).....	\$3,525.00
FL-3000	LED Operatory Light (shown above) (see page 81) .....	\$2,300.00
110-090	Helix Mount Water Bottle Kit (not shown separately).....	\$320.00
Epic W/Vac	Epic Operatory Chair, with Model H-5300 Rear Mount Vacuum .....	\$9,200.00

### Custom Options:

Stools	Operatory Stools .....	Page 13
115-713	HP Illumination (ISO-B, 5 Hole).....	\$315.00
115-703	HP Illumination (ISO-C, 6 Pin) .....	\$295.00
126-260	Wet/dry foot control in lieu of standard disc type .....	\$100.00
030-014	2nd HVE, holder and tubing .....	\$84.00
107-145	Unit mount touch pad (available on H-3600, S-3600, S-3606, S-3630 & S-3636).....	\$300.00
	Silcryn™ tubing (sterling only).....	\$35.00





## Northwest Operatory System

Operatory System with Telescoping Vacuum Arm (as shown)..... **Operatory Price** \$15,382.00

### Unit Package Features

S-3600	3 Handpiece Automatic Control, 2" dia. Post Mount System (see page 15) .....	\$3,525.00
H-5200	Telescoping Vacuum Arm (not shown separately).....	\$935.00
FL-3000	LED Operatory Light (shown above) (see page 81) .....	\$2300.00
146-203	40" Light Post with Bushing (see page 121).....	\$172.00
110-062	Post Mount Water Bottle Kit (see page 107).....	\$340.00
Epic	Epic Operatory Chair, 110V (see page 11) .....	\$7,800.00
400-030	Epic Chair Adapter (see page 122).....	\$310.00

### Custom Options:

Stools	Operatory Stools .....	Page 13
115-713	HP Illumination (ISO-B, 5 Hole).....	\$315.00
115-703	HP Illumination (ISO-C, 6 Pin) .....	\$295.00
126-260	Wet/dry foot control in lieu of standard disc type .....	\$100.00
030-014	2nd HVE, holder and tubing .....	\$84.00
107-145	Unit mount touch pad (available on H-3600, S-3600, S-3606, S-3630 & S-3636).....	\$300.00
	Silcryn tubing (sterling only).....	\$35.00



## Evergreen Operatory System

Operatory System with Side Box and Telescoping Vacuum Arm (as shown) ..... **Operatory Price \$16,015.00**

### Unit Package Features

S-3606	3 Handpiece Automatic Control, Top Post Mount System (see page 15) .....	\$3,525.00
A-5210	Telescoping Vacuum Arm for 145-000 Side Box only (not shown separately) .....	\$780.00
FL-3000	LED Operatory Light (shown above) (see page 81) .....	\$2,300.00
145-000	Side Box with Light Post, Water QD, Flow Control and Clean Water (not shown separately) .....	\$1,300.00
Epic	Epic Operatory Chair, 110V (see page 11) .....	\$7,800.00
400-030	Epic Chair Adapter (see page 122) .....	\$310.00

### Custom Options:

Stools	Operatory Stools .....	Page 13
115-713	HP Illumination (ISO-B, 5 Hole) .....	\$315.00
115-703	HP Illumination (ISO-C, 6 Pin) .....	\$295.00
126-260	Wet/dry foot control (In Lieu of Standard Disc Type) .....	\$100.00
030-014	2nd HVE, holder and tubing .....	\$84.00
107-145	Unit mount touch pad (available on H-3600, S-3600, S-3606, S-3630 & S-3636) .....	\$300.00
	Silcryn™ tubing (sterling only) .....	\$35.00



## Columbia Operatory System

Operatory System with Cuspidor (as shown)..... **Operatory Price** \$15,832.00

### Unit Package Features

S-3600	3 Handpiece Automatic Control (see page 15).....	\$3,525.00
C-4250	Cuspidor with Vacuum and Water QD (see page 79) .....	\$1,590.00
FL-3000	LED Operatory Light (shown above) (see page 81) .....	\$2,300.00
146-203	40" Light Post with Bushing (see page 121).....	\$172.00
Epic	Epic Operatory Chair, 110V (see page 11) .....	\$7,800.00
400-030	Epic Chair Adapter (see page 122).....	\$310.00
113-514	Assistant Side Syringe (see page 104).....	\$135.00

### Custom Options

Stools	Operatory Stools.....	Page 13
Water Bottle Systems	.....	Page 107
115-713	HP Illumination (ISO-B, 5 Hole).....	\$315.00
115-703	HP Illumination (ISO-C, 6 Pin).....	\$295.00
126-260	Wet/dry foot control (In Lieu of Standard Disc Type) .....	\$100.00
030-016	2nd HVE, holder and tubing.....	\$90.00
107-145	Unit mount touch pad (available on H-3600, S-3600, S-3606, S-3630 & S-3636) .....	\$300.00
	Silcryn™ tubing (sterling only).....	\$35.00



## Sierra Operatory System

Chair Mounted Delivery System with Side Box and Cuspidor (as shown)..... **Operatory Price** \$16,550.00

### Unit Package Features

S-3606	3 Handpiece Automatic Control, Top Post Mount System (see page 15) .....	\$3,525.00
145-002	Side Box with Light Post, Water QD with Flow Control for C-4201 Cuspidor only (not shown separately) .....	\$1,300.00
C-4201	Cuspidor with Vacuum for 145-002 Side Box only (not shown separately) .....	\$1,180.00
FL-3000	LED Operatory Light (shown above) (see page 81) .....	\$2,300.00
Epic	Epic Operatory Chair, 110V (see page 11) .....	\$7,800.00
400-030	Epic Chair Adapter (see page 122) .....	\$310.00
113-514	Assistant's Side Syringe (See Page 104) .....	\$135.00

### Custom Options:

Stools	Operatory Stools .....	Page 13
105-080	Telescoping Arm .....	\$560.00
115-713	HP Illumination (ISO-B, 5 Hole) .....	\$315.00
115-703	HP Illumination (ISO-C, 6 Pin) .....	\$295.00
126-260	Wet/dry foot control (In Lieu of Standard Disc Type) .....	\$100.00
030-016	2nd HVE, holder and tubing .....	\$88.00
107-145	Unit mount touch pad (available on H-3600, S-3600, S-3606, S-3630 & S-3636) .....	\$300.00
	Silcryn™ tubing (sterling only) .....	\$35.00



## Mt. Hood Operatory System

Euro Operatory System with Cuspidor (as shown)..... **Operator Price** \$16,257.00

### Unit Package Features

S-6300	3 Handpiece Automatic Control, Top Post Mount System—Euro Style (see page 25) .....	\$3,950.00
C-4250	Cuspidor with Vacuum and Water QD (see page 79) .....	\$1,590.00
FL-3000	LED Operatory Light (shown above) (see page 81).....	\$2,300.00
146-203	40" Light Post with Bushing (see page 121).....	\$172.00
Epic	Epic Operatory Chair, 110V (see page 11).....	\$7,800.00
400-030	Epic Chair Adapter (see page 122).....	\$310.00
113-514	Assistant Side Syringe (see page 104).....	\$135.00

### Custom Options:

Stools	Operatory Stools.....	Page 13
Water Bottle Systems	.....	Page 107
115-304	HP Illumination (ISO-B, 5 Hole) factory installed .....	\$315.00
115-305	HP Illumination (ISO-C, 6 Pin) factory installed .....	\$295.00
126-260	Wet/dry foot control (In Lieu of Standard Disc Type).....	\$100.00
030-016	2nd HVE, holder and tubing .....	\$88.00



## Mckenzie Operatory System

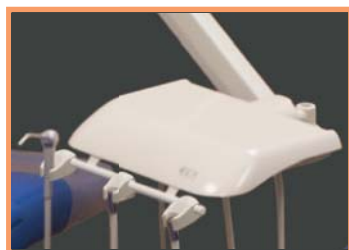
Euro Operatory System with Cuspidor (as shown)..... **Operatory Price** \$16,975.00

### Unit Package Features

S-6307	3 Handpiece Automatic Control, Top Post Mount System—Euro Style (see page 25) .....	\$3,950.00
145-002	Side Box with Light Post, Water QD, Flow Control and Clean Water (not shown separately).....	\$1,300.00
C-4201	Cuspidor with Vacuum for 145-002 Side Box only (not shown separately) .....	\$1,180.00
FL-3000	LED Operatory Light (shown above) (see page 81) .....	\$2,300.00
Epic	Epic Operatory Chair, 110V (see page 11) .....	\$7,800.00
400-030	Epic Chair Adapter (see page 122).....	\$310.00
113-514	Assistant's Side Syringe (see page 104) .....	\$135.00

### Custom Options:

Stools	Operatory Stools.....	Page 13
105-080	Telescoping Arm.....	\$560.00
115-304	HP Illumination (ISO-B, 5 Hole) factory installed.....	\$315.00
115-305	HP Illumination (ISO-C, 6 Pin) factory installed.....	\$295.00
126-260	Wet/dry foot control (In Lieu of Standard Disc Type).....	\$100.00
030-016	2nd HVE, holder and tubing.....	\$88.00



## Cascade Operatory System

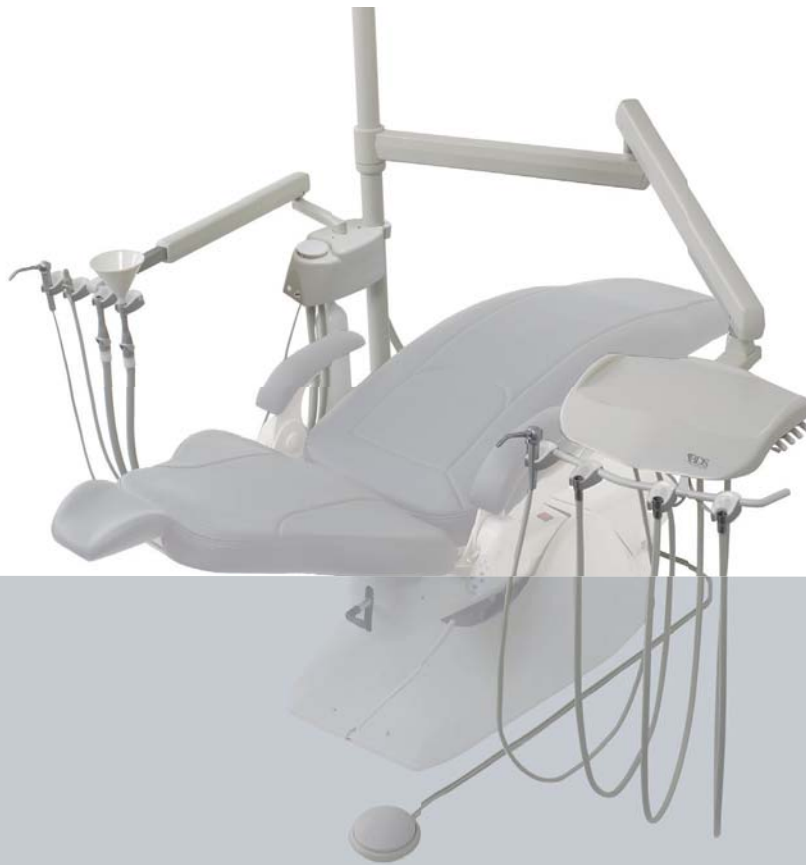
Operatory System (as shown) ..... **Operatory Price \$13,732.00**

### Unit Package Features

S-2500	2 Handpiece Automatic Control, Post Mount System (see page 21) .....	\$2,565.00
A-5200	Telescoping Vacuum Arm (see page 85).....	\$990.00
Celux	Operatory Light (shown above) (see page 83) .....	\$1,350.00
146-203	40" Light Post with Bushing (see page 121).....	\$172.00
DR-96	Doctor's Operatory Stool (see page 13).....	\$525.00
Epic	Epic Operatory Chair, 110V (see page 11) .....	\$7,800.00
400-030	Epic Chair Adapter (see page 122).....	\$310.00

### Custom Options:

Stools	Operatory Stools .....	Page 13
Water Bottle Systems	.....	Page 107
115-713	HP Illumination (ISO-B, 5 Hole) .....	\$315.00
115-703	HP Illumination (ISO-C, 6 Pin) .....	\$295.00
030-014	2nd HVE, holder and tubing .....	\$84.00



## S-3620

Operatory System ..... **Operator Price \$4,971.00**

### Unit Package Features

S-3600	3 Handpiece Automatic Control, 2" dia. Post Mount System (see page 15) .....	\$3,525.00
146-212	48" Light Post with Bushing (see page 121).....	\$176.00
S-5225	Telescoping Vacuum Arm with Bottle System (not shown seperately) .....	\$1,270.00

### Custom Options:

Epic	Epic Operatory Chair, 110V (see page 11) .....	\$7,800.00
400-030	Epic Chair Adapter (see page 122) .....	\$310.00
Stools	Operatory Stools.....	Page 13
FL-3000	LED Operatory Light (see page 81).....	\$2,300.00
115-713	HP Illumination (ISO-B, 5 Hole) .....	\$315.00
115-703	HP Illumination (ISO-C, 6 Pin) .....	\$295.00
107-145	Unit mount touch pad (available on H-3600, S-3600, S-3606, S-3630 & S-3636) .....	\$300.00
126-260	Wet/dry foot control (In Lieu of Standard Disc Type) .....	\$100.00
	Silcryn™ tubing (sterling only).....	\$40.00





## S-3621

Operatory System ..... **Operatory Price \$5,744.00**

### Unit Package Features

S-3600	3 Handpiece Automatic Control, 2" dia. Post Mount System (see page 15) .....	\$3,525.00
146-212	48" Light Post with Bushing (see page 121).....	\$176.00
C-4250	Cuspidor with Vacuum (see page 79) .....	\$1,590.00
110-029	Clean Water System (see page 107) .....	\$318.00
113-514	Assistant Side Syringe (see page 104).....	\$135.00

### Custom Options:

Epic	Epic Operatory Chair, 110V (see page 11) .....	\$7,800.00
400-030	Epic Chair Adapter (see page 122) .....	\$310.00
Stools	Operatory Stools.....	Page 13
FL-3000	Operatory Light (see page 81).....	\$2,300.00
115-713	HP Illumination (ISO-B, 5 Hole).....	\$315.00
115-703	HP Illumination (ISO-C, 6 Pin) .....	\$295.00
107-145	Unit mount touch pad (available on H-3600, S-3600, S-3606, S3630 & S-3636).....	\$300.00
126-260	Wet/dry foot control (In Lieu of Standard Disc Type) .....	\$100.00
030-016	2nd HVE, holder and tubing .....	\$88.00
	Silcryn™ tubing (sterling Only).....	\$35.00



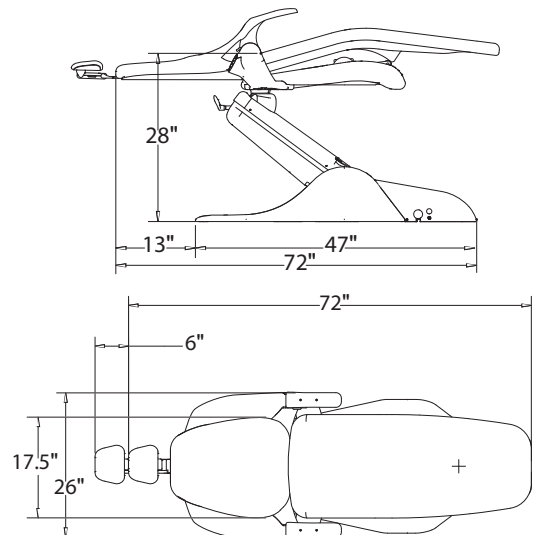
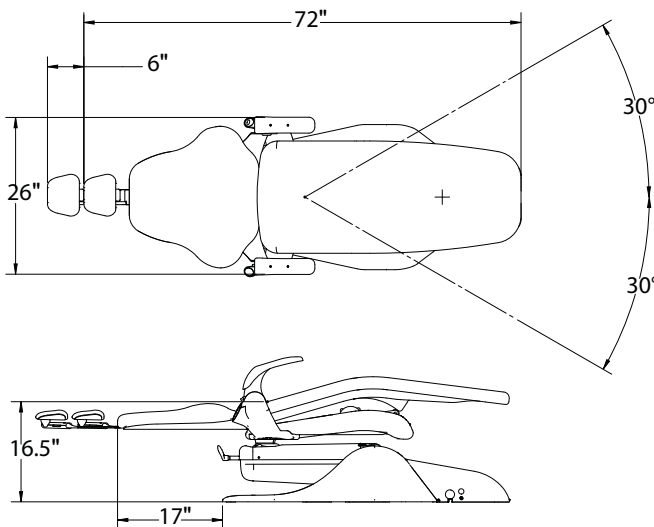
### Epic

Operatory chair with 3 programmable positions  
\$7,800.00

### Epic (With Slings)

Operatory chair with 3 programmable positions  
\$8,100.00

### Dimensions



## Features of Epic Operatory Chair

Epic

Heavy duty cast iron construction	■
Thin back with lumbar support	■
Armrest mounted touch pad control	■
4 manual chair movements, 3 programmable positions and home position	■
Swing down armrest	■
Synchronized back and seat recline	■
Heavy vinyl scuff guard for toe board	■
Electromechanical chair operation (110 VAC)	■
600 lb. lifting capacity	■
Double articulating headrest	■
30° Rotation left and right of center	■

Options	Part Number	Price	
Epic chair foot control	400-045	\$430.00 Add	■
Additional touch pad	400-165	\$165.00 Add	■
Ultraleather™ (in lieu of standard upholstery)	CH-0903	\$575.00 Add	■
Ultraleather™ Slings (in lieu of standard upholstery)	CH-0906	\$875.00 Add	■
Standard Nauga Soft upholstery options (see page 130)			■
Additional upholstery options may be available upon request.			■
Sling Upholstery (in lieu of standard)	CH-0905	\$300.00 Add	■
Contoured Utility Center (see page 106)			■



Clear Toe Cover  
CH-0763  
\$72.00



Second Touch Pad Control  
Located on armrest  
400-165  
\$165.00



Foot Switch with additional  
preset  
(Optional feature)  
400-045  
\$430.00



Chair base floor pad  
CH-0893  
\$80.00

**Upholstery swatches available upon request please contact customer service**



**DR-96**

Doctor's Stool  
\$545.00

**AT-96**

Assistant's Stool  
\$775.00

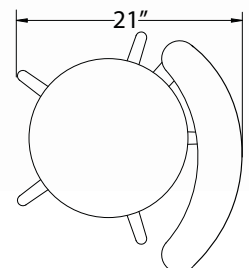
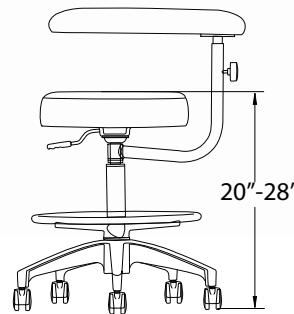
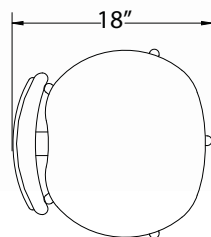
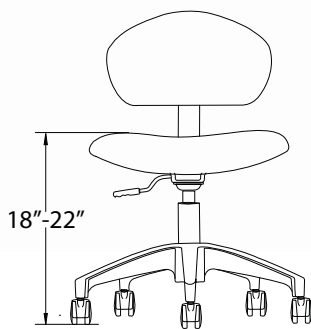
**DR-97**

Doctor's Deluxe Stool  
\$1015.00

**AT-97**

Assistant's Deluxe Stool  
\$1,200.00

**Dimensions**



## Features for stools

DR-97 DR-96 AT-97 AT-96

Contoured seamless seat	■	■	■	
Round seat, 15-1/2" x 4", stitched				■
Chrome plated back upright	■	■		
Contoured seamless semi-rectangular back		■		
Contoured seamless oval back	■			
Chrome plated, full padded body support				■
Chrome plated, pneumatic cylinder with height adjustment, 18" to 22"	■	■		
Chrome plated, pneumatic cylinder with height adjustment, 20 to 28"			■	■
5-leg, powder coated base	■	■	■	■
Twin wheel casters (see page 118)	■	■	■	■
Adjustable footring			■	■
Standard Nauga Soft upholstery (see color chart page 130)	■	■	■	■
Contoured seamless seat with tilt	■			
Chrome plated back upright with tilt	■			
Ratcheting body support			■	

## Options

Part Number Price

Ratcheting body support with plastic cover	108-011	\$390.00 Add					■
Rubber wheel casters	108-009	\$100.00 Add	■	■	■	■	■
Additional upholstery options may be available upon request.			■	■	■	■	■
Ultraleather™ (in lieu of standard upholstery)	DR-96 UL, AT-96 UL	\$230.00 Add	■	■	■	■	■
Ultraleather™ (in lieu of standard upholstery)	DR-97 UL, AT-97 UL	\$230.00 Add	■	■	■	■	■
Taller cylinders available upon request	108-010	(call for pricing and availability)					

Post NOT included,  
if needed, length must be specified

Top Post Mount units include 28" Post



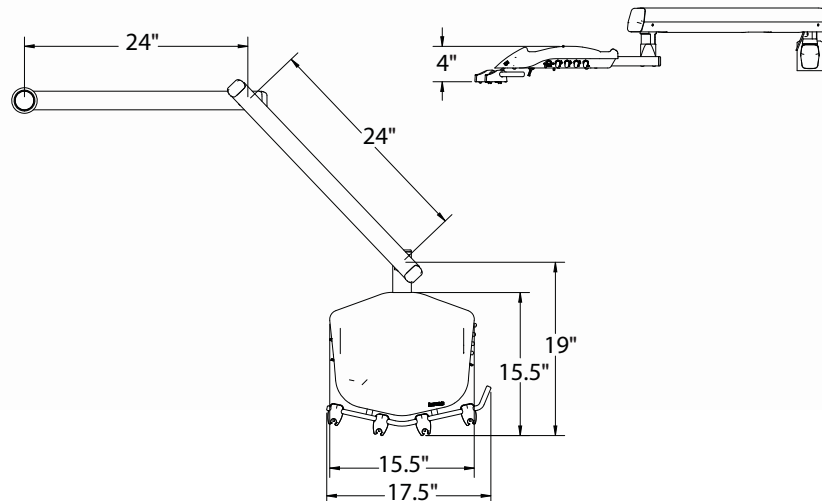
### S-3600

3 HP Automatic 2" dia. Post Mount  
Doctor's System with Pneumatic Brake Flex Arm  
\$3,525.00

### S-3606

3 HP Automatic Top Post Mount  
Doctor's System with Pneumatic Brake Flex Arm  
\$3,525.00

### Dimensions



## Features of over the patient systems

S-3600 S-3606

3 Handpiece automatic control	■	■
3-Way air/water syringe	■	■
Master ON/OFF toggle with indicator	■	■
Pressure adjustment for each handpiece	■	■
Easy to read pressure gauge (protected under cover)	■	■
Air coolant adjustment	■	■
Non-retracting water coolant, adjustment, and purge	■	■
Asepsis handpiece tubing, sterling	■	■
Asepsis flex arm system with pneumatic brake	■	■
Unit mount post, 28"		■
Standard disc foot control	■	■
Utility center assembly with master valves & regulators	■	■
7' umbilical tubing	■	■

## Options

### Part Number

### Price

Delete utility center	144-018	\$420.00 Deduct	■	■
Delete handpiece station with tubing		\$50.00 Deduct	■	■
Additional handpiece station with tubing (dry only)		\$160.00 Add	■	■
Additional umbilical tubing (per foot)	115-500	\$12.00 Add	■	■
Unit mount post, 40" with bushing	146-203	\$170.00 Add	■	
Chair adapter (specify model of chair - see page 122)			■	■
Silcryn™ tubing		\$20.00 Add	■	■
Left handed holder bar	107-019	N/C	■	■

Unit Mounted Touch Pad Control  
(For Epic Chair)  
107-145  
\$300.00



Water Bottle Kits, page 107  
110-004 110-028  
\$172.00 \$224.00



Handpiece Illumination System  
with Delay, 5 and 6 pin  
115-713, 115-703  
pages 113 and 114



Foot Controls, page 109

126-133	Chip Blower in lieu of standard disc type .....	\$120.00 Add
126-260	Wet/Dry in lieu of standard disc type .....	\$100.00 Add
126-203	Wet/Dry Chip Blower in lieu of standard disc type .....	\$160.00 Add

Post NOT included,  
if needed, length must be specified

Top Post Mount units include 28" Post



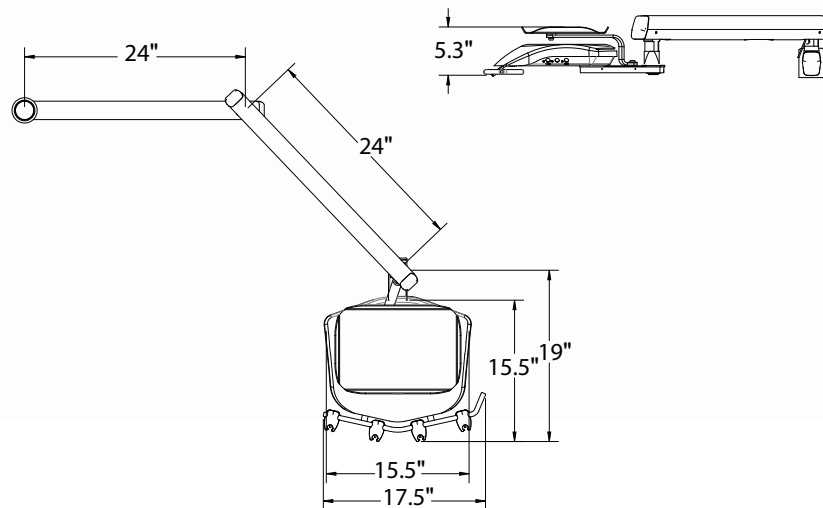
### S-3630

3 HP Automatic 2" dia. Post Mount  
Doctor's System with Pneumatic Brake Flex Arm and  
Swivel Tray  
\$3,745.00

### S-3636

3 HP Automatic 2" dia. Top Post Mount  
Doctor's System with Pneumatic Brake Flex Arm and  
Swivel Tray  
\$3,745.00

## Dimensions





## Features of over the patient systems

S-3630 S-3636

3 Handpiece automatic control	■	■
3-Way air/water syringe	■	■
Master ON/OFF toggle with indicator	■	■
Pressure adjustment for each handpiece	■	■
Easy to read pressure gauge (protected under cover)	■	■
Air coolant adjustment	■	■
Non-retracting water coolant, adjustment, and purge	■	■
Asepsis handpiece tubing, sterling	■	■
Asepsis flex arm system with pneumatic brake	■	■
Unit mount swivel tray 9-3/4" x 13-1/2"	■	■
Unit mount post, 28"		■
Standard disc foot control	■	■
Utility center assembly with master valves & regulators	■	■
7' umbilical tubing	■	■

## Options

### Part Number

### Price

Delete utility center	144-018	\$420.00 Deduct	■	■
Delete handpiece station with tubing		\$50.00 Deduct	■	■
Additional handpiece station with tubing (dry only)		\$160.00 Add	■	■
Additional umbilical tubing (per foot)	115-500	\$12.00 Add	■	■
Unit mount post, 40" with bushing	146-203	\$170.00 Add	■	
Chair adapter (specify model of chair - see page 122)			■	■
Silcryn™ tubing		\$20.00 Add	■	■
Left handed holder bar	107-019	N/C	■	■

Unit Mounted Touch Pad Control  
(For Epic Chair)  
107-145  
\$300.00



Water Bottle Kits, page 107  
110-004 110-028  
\$172.00 \$224.00



Handpiece Illumination System  
with Delay, 5 and 6 pin  
115-713, 115-703  
pages 113 and 114



Foot Controls, page 109

126-133	Chip Blower in lieu of standard disc type .....	\$120.00 Add
126-260	Wet/Dry in lieu of standard disc type .....	\$100.00 Add
126-203	Wet/Dry Chip Blower in lieu of standard disc type .....	\$160.00 Add

Post NOT included, if needed length must be specified Top Post Mount units include 28" Post



### S-3420

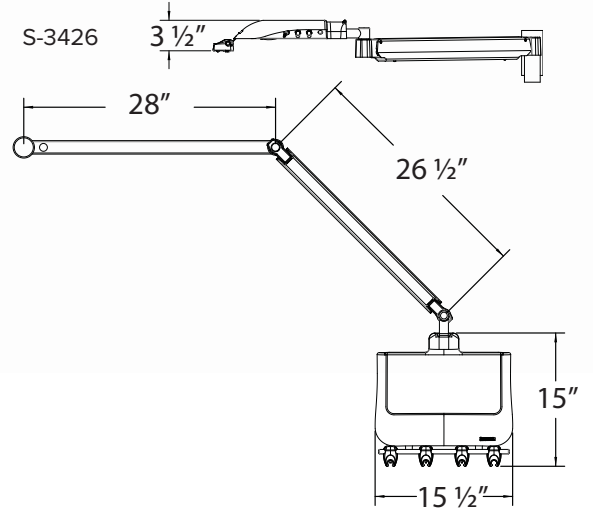
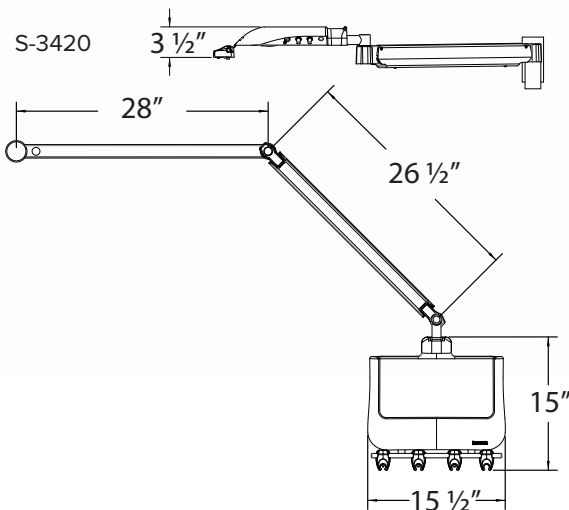
3 HP Automatic 2" dia. Post Mount  
 Doctor's System, (2 wet, 1 dry) with Manual Flex Arm  
 \$2,900.00

### S-3426

3 HP Automatic 2" dia. Top Post Mount  
 Doctor's System, (2 wet, 1 dry) with Manual Flex Arm  
 \$2,900.00

### Dimensions

MAXIMUM TRAY LOAD LIMIT IS 4 LBS.



## Features of over the patient systems

S-3420 S-3426

3 Handpiece automatic control (2 positions wet / 1 position dry)	■	■
3-way air/water syringe	■	■
Master ON/OFF toggle	■	■
Pressure adjustment for each handpiece	■	■
Easy to read pressure gauge	■	■
Non-retracting water coolant with adjustment	■	■
Asepsis handpiece tubing, sterling	■	■
Manual flex arm system with friction brake	■	■
Unit mount post, 28"		■
Standard disc foot control	■	■
Utility center assembly with master valves and regulators	■	■
7' umbilical tubing	■	■

## Options

### Part Number

### Price

Delete utility center	144-018	\$420.00 Deduct	■	■
Delete handpiece station with tubing		\$50.00 Deduct	■	■
Unit/light post, 40" with bushing	146-203	\$170.00 Add	■	■
Additional umbilical tubing (per foot)	115-500S	\$12.00 Add	■	■
Chair adapter (specify model of chair - see page 122)			■	■
Silcryn™ tubing		\$20.00 Add	■	■

#### Hepa Filter

119-027

\$45.00

page 98



#### Water Bottle Kits, page 107

110-004

\$172.00

110-028

\$224.00



#### Handpiece Illumination System

with Delay, 5 and 6 pin

115-713, 115-703

pages 113 and 114



#### Foot Controls, page 109

126-133 Chip Blower in lieu of standard disc type ..... \$120.00 Add

126-260 Wet/Dry in lieu of standard disc type ..... \$100.00 Add

126-203 Wet/Dry Chip Blower in lieu of standard disc type ..... \$160.00 Add

Post NOT included, if needed length must be specified Top Post Mount units include 28" Post



### S-2500

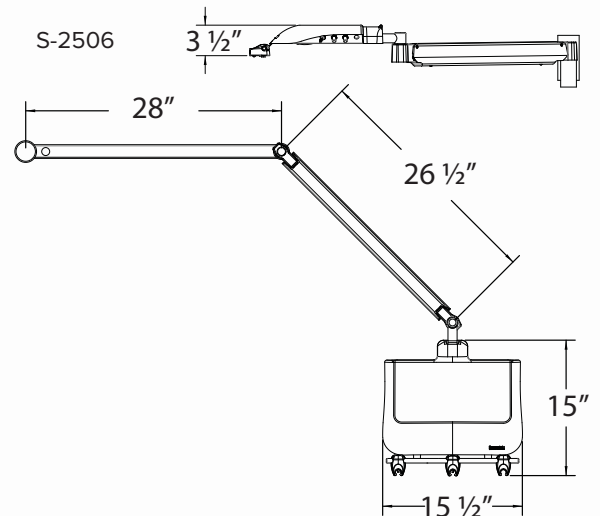
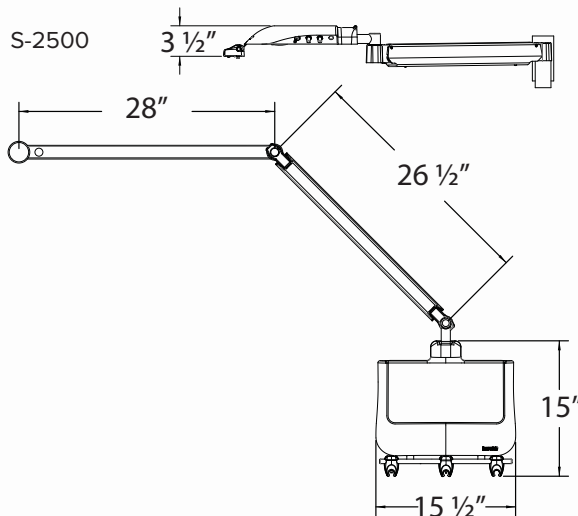
2 HP Automatic 2" dia. Post Mount  
 Doctor's System, (1 wet, 1 dry) with Manual Flex Arm  
 \$2,565.00

### S-2506

2 HP Automatic 2" dia. Top Post Mount  
 Doctor's System, (1 wet, 1 dry) with Manual Flex Arm  
 \$2,565.00

### Dimensions

MAXIMUM TRAY LOAD LIMIT IS 4 LBS.



## Features of over the patient systems

S-2500 S-2506

2 Handpiece automatic control (1 wet position / 1 dry position)	■	■
3-way air/water syringe	■	■
Master ON/OFF toggle	■	■
Pressure adjustment for each handpiece	■	■
Easy to read pressure gauge	■	■
Non-retracting water coolant with adjustment	■	■
Asepsis handpiece tubing, sterling	■	■
Manual flex arm system with friction brake	■	■
Unit mount post, 28"		■
Standard disc foot control	■	■
Utility center assembly, with master valves and regulators	■	■
7' umbilical tubing	■	■

## Options

Part Number Price

	Part Number	Price	S-2500	S-2506
Delete utility center	144-018	\$420.00 Deduct	■	■
Delete handpiece station with tubing		\$50.00 Deduct	■	■
Unit/light post, 40" with bushing	146-203	\$170.00 Add	■	■
Additional umbilical tubing (per foot)	115-501	\$12.00 Add	■	■
Chair adapter (specify model of chair - see page 122)			■	■
Silcryn™ tubing		\$15.00 Add	■	■

Hepa Filter  
119-027  
\$45.00  
page 98



Water Bottle Kits, page 107  
110-004 110-028  
\$172.00 \$224.00



Handpiece Illumination System  
with Delay, 5 and 6 pin  
115-713, 115-703  
pages 113 and 114



Post NOT included,

Top Post Mount Units include 28" post



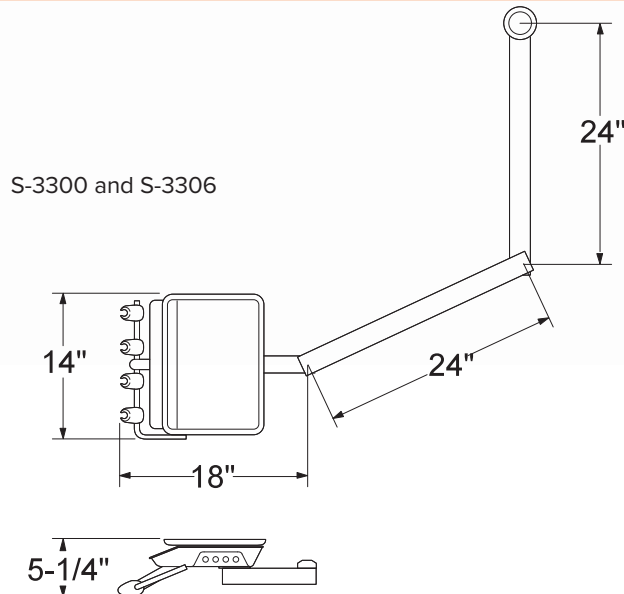
### S-3300

3 HP Automatic 2" dia. Post Mount  
 Doctor's System with Pneumatic Brake Flex Arm  
 \$3,425.00

### S-3306

3 HP Automatic Top Post Mount  
 Doctor's System with Pneumatic Brake Flex Arm  
 \$3,425.00

### Dimensions



## Features of over the patient systems

S-3300 S-3306

3 Handpiece automatic control	■	■
3-way air/water syringe	■	■
Master ON/OFF toggle with indicator	■	■
Pressure adjustment for each handpiece	■	■
Easy to read pressure gauge	■	■
Air coolant adjustment	■	■
Non-retracting water coolant, adjustment, and purge	■	■
Asepsis handpiece tubing, sterling	■	■
Stainless steel instrument tray, with non-slip pad	■	■
Asepsis flex arm system with pneumatic brake	■	■
Unit mount post, 28"		■
Standard disc foot control	■	■
Utility center assembly, with master valves & regulators	■	■
7' umbilical tubing	■	■

Options	Part Number	Price		
Delete utility center	144-018	\$420.00 Deduct	■	■
Delete handpiece station with tubing		\$50.00 Deduct	■	■
Additional handpiece station with tubing (dry only)		\$160.00 Add	■	■
Additional umbilical tubing (per foot)	115-500S	\$12.00 Add	■	■
Unit mount post, 40" with bushing	146-203	\$170.00 Add	■	
Chair adapter (specify model of chair - see page 122)			■	■
Silcryn™ tubing		\$20.00 Add	■	■

Hepa Filter  
119-027  
\$45.00  
page 98



Water Bottle Kits, page 107  
110-004 110-028  
\$172.00 \$224.00



Handpiece Illumination System  
with Delay, 5 and 6 pin  
115-713, 115-703  
pages 113 and 114



Foot Controls, page 109

126-133	Chip Blower in lieu of standard disc type .....	\$120.00 Add
126-260	Wet/Dry in lieu of standard disc type .....	\$100.00 Add
126-203	Wet/Dry Chip Blower in lieu of standard disc type .....	\$160.00 Add

Post NOT included,  
if needed, length must be specified

Top Post Mount Units include 28" post



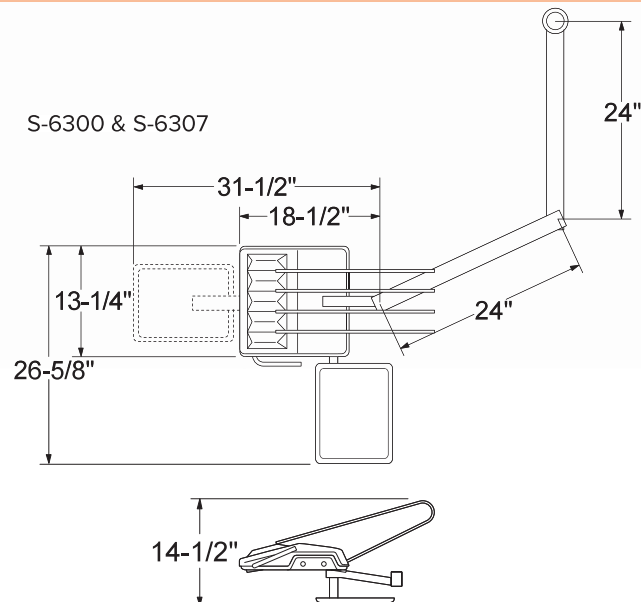
### S-6300

3 HP Automatic Euro 2" dia. Post Mount  
Doctor's System with Pneumatic Brake Flex Arm  
\$3,950.00

### S-6307

3 HP Automatic Euro Top Post Mount  
Doctor's System with Pneumatic Brake Flex Arm  
\$3,950.00

### Dimensions





## Features of over the patient systems

S-6300 S-6307

3 Handpiece automatic control	■	■
Side-mounted control adjustments	■	■
3-way air/water syringe	■	■
Master ON/OFF toggle with indicator	■	■
Pressure adjustment for each handpiece	■	■
Easy to read pressure gauge	■	■
Air coolant adjustment	■	■
Non-retracting water coolant, adjustment, and purge	■	■
Asepsis handpiece tubing, sterling	■	■
Arm-mounted tray holder, with stainless steel instrument tray	■	■
Asepsis flex arm system with pneumatic brake	■	■
Unit mount post, 28"		■
Standard disc foot control	■	■
Utility center assembly, with master valves and regulators	■	■
7' umbilical tubing	■	■

## Options

Part Number Price

Delete utility center	144-018	\$420.00 Deduct	■	■
Unit mount post, 40" with bushing	146-203	\$170.00 Add	■	
Additional umbilical tubing (per foot)	115-500S	\$12.00 Add	■	■
Handpiece Illumination (ISO B 5 Hole) Factory Installed	115-304	\$315.00 Add	■	■
Handpiece Illumination (ISO C 6 Pin) Factory Installed	115-305	\$295.00 Add	■	■
Silcryn™ tubing is <b>NOT</b> available on these models			■	■

### Water Bottle Kits, page 107

110-004    110-028  
\$172.00    \$224.00



### Hepa Filter

119-027  
\$45.00  
page 98



### Foot Controls, page 109

126-133	Chip Blower in lieu of standard disc type .....	\$120.00 Add
126-260	Wet/Dry in lieu of standard disc type .....	\$100.00 Add
126-203	Wet/Dry Chip Blower in lieu of standard disc type .....	\$160.00 Add



Filter/Regulators must be ordered separately

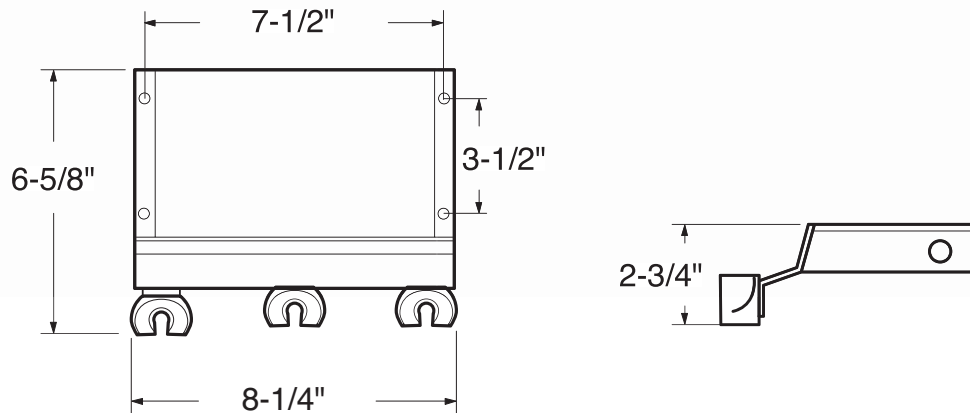
### A-250

2 HP Automatic Beneath Shelf Doctor's System  
\$845.00

### A-230 (not shown)

2 HP Manual Beneath Shelf Doctor's System  
\$765.00

### Dimensions



## Features of beneath shelf mounted systems

A-250 A-230

2 Handpiece automatic control (1 wet, 1 dry)	■	
2 Handpiece manual control (1 wet, 1 dry)		■
3-way air/water syringe	■	■
Master ON/OFF toggle	■	
Pressure adjustment for each handpiece	■	■
Easy to read pressure gauge	■	■
Non-retracting water coolant adjustment	■	■
Asepsis handpiece tubing, sterling	■	■
Standard disc foot control	■	■
7' umbilical tubing	■	■

## Options

	Part Number	Price		
Water coolant to both handpieces		\$50.00 Add	■	■
Additional umbilical tubing (per foot)	115-507	\$12.00 Add	■	■
Silcryn™ tubing		\$15.00 Add	■	■

Control Head Cover

101-016  
\$50.00



Water Bottle Kits,

page 107  
110-032  
\$162.00



Handpiece Illumination System

with Delay, 5 and 6 pin  
115-713, 115-703  
pages 113 and 114



Bracket for 1/2" dia. pin mount

105-060, page 92  
\$42.00



Utility Center Assembly

144-018, page 106  
\$420.00





Cabinet is shown for display and not included in price.

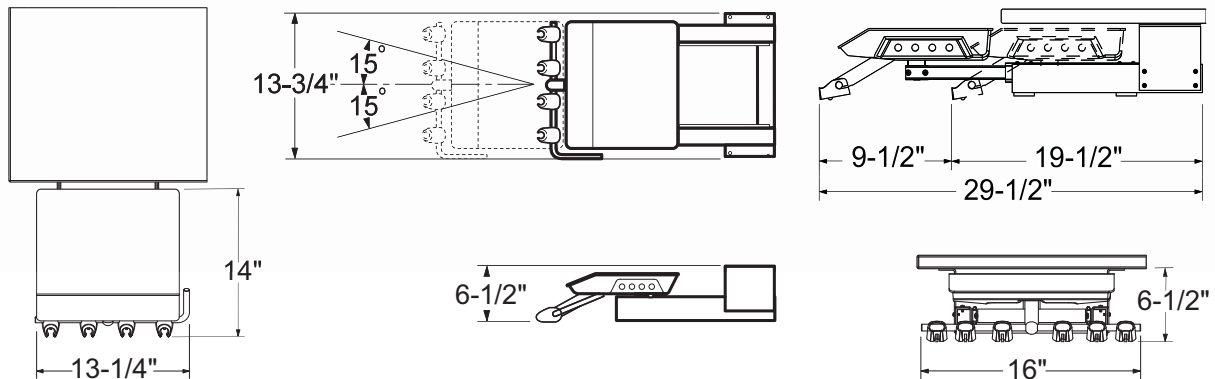
### SO-3304

3 HP Automatic Rear Delivery  
Slide-out Mount Control Head  
\$2,175.00

### SO-3354

3 HP Automatic Rear Delivery Slide-out Mount  
Control Head with Vacuum  
\$2,340.00

### Dimensions



## Features of cabinet mounted systems

SO-3304 SO-3354

3-way air/water syringe	■	■
Master ON/OFF toggle with indicator	■	■
Pressure adjustment for each handpiece	■	■
Easy to read pressure gauge	■	■
Air coolant adjustment	■	■
Non-retracting water coolant adjustment and purge	■	■
Asepsis handpiece tubing, sterling	■	■
Vacuum canister with removable 1-7/8" screen (131-052)		■
1 Autoclavable HVE and saliva ejector valve with tubing		■
Slide-out mount with 15° pivot left and right	■	■
Standard disc foot control	■	■
Master valve assembly with filter and regulator	■	■
7' umbilical tubing	■	■

## Options

Part Number Price

Delete master valve assembly with filter and regulator	144-027	\$300.00 Deduct	■	■
Delete handpiece station with tubing		\$50.00 Deduct	■	■
Additional handpiece station with tubing (dry only)		\$160.00 Add	■	■
Additional syringe on doctor or assistant's side	113-515	\$125.00 Add	■	■
Additional umbilical tubing (per foot)	115-503	\$12.00 Add	■	■
Silcryn™ tubing		\$20.00 Add	■	
Silcryn™ tubing		\$30.00 Add		■

Hepa Filter  
119-027  
\$45.00  
page 98



Water Bottle Kit  
110-032, page 107  
\$162.00



Handpiece Illumination System  
with Delay, 5 and 6 pin  
115-713, 115-703  
pages 113 and 114



Additional HVE Valve with  
Tubing and Holder  
030-014  
\$84.00 (SO-3354)



Foot Controls, page 109

126-133	Chip Blower in lieu of standard disc type .....	\$120.00 Add
126-260	Wet/Dry in lieu of standard disc type .....	\$100.00 Add
126-203	Wet/Dry Chip Blower in lieu of standard disc type .....	\$160.00 Add



Cabinet is shown for display and not included in price.

### SC-4200

3 HP Automatic Rear Delivery  
Swivel Mount Control Head  
\$2,075.00

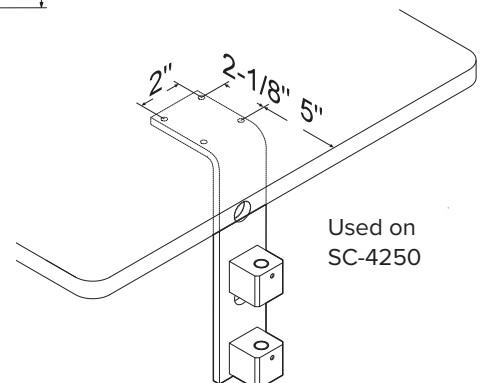
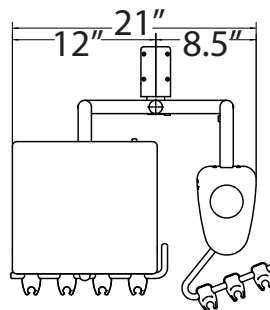
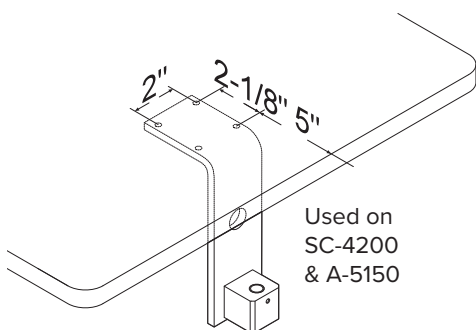
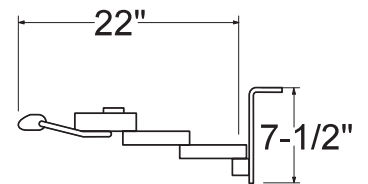
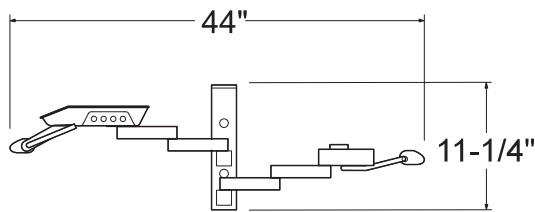
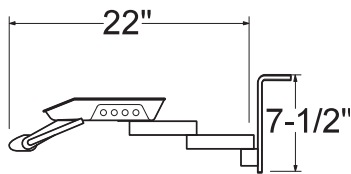
### SC-4250

3 HP Automatic IC Rear Delivery Duo  
Swing System with Vacuum  
\$2,700.00

### A-5150

Rear Delivery Assistant's Swivel  
Vacuum System  
\$820.00

### Dimensions



## Features of cabinet mounted systems SC-4200 SC-4250 A-5150

3 handpiece automatic control	■	■	
3-way air/water syringe	■	■	■
Master ON/OFF toggle with indicator	■	■	
Pressure adjustment for each handpiece	■	■	
Easy to read pressure gauge	■	■	
Air coolant adjustment	■	■	
Non-retracting water coolant adjustment and purge	■	■	
Asepsis handpiece tubing, sterling	■	■	
Pivoting arm mounted vacuum canister with removable screen (131-053)		■	■
1 Autoclavable HVE and saliva ejector valve with tubing		■	■
Standard disc foot control	■	■	
Master valve assembly with filter and regulator	■	■	
7' umbilical tubing	■	■	■

## Options Part Number Price

Delete utility center less housing	144-027	\$300.00 Deduct	■	■	
Delete handpiece station with tubing		\$50.00 Deduct	■	■	
Additional handpiece station with tubing (dry only)		\$160.00 Add	■	■	
Additional syringe for doctor or assistant's side	113-515	\$125.00 Add		■	
Additional umbilical tubing (per foot)	115-503	\$12.00 Add	■	■	
Silcryn™ tubing		\$20.00 Add	■		
Silcryn™ tubing		\$30.00 Add		■	
Silcryn™ tubing		\$15.00 Add			■

Hepa Filter  
119-027  
\$45.00  
page 98



Water Bottle Kit  
110-032, page 107  
\$162.00



Additional HVE Valve with  
Tubing and Holder  
030-014  
\$84.00 (A-5150 & SC-4250)



Handpiece Illumination System  
with Delay, 5 and 6 pin  
115-713, 115-703  
pages 113 and 114



Foot Controls, page 109

126-133	Chip Blower in lieu of standard disc type .....	\$120.00 Add
126-260	Wet/Dry in lieu of standard disc type .....	\$100.00 Add
126-203	Wet/Dry Chip Blower in lieu of standard disc type .....	\$160.00 Add

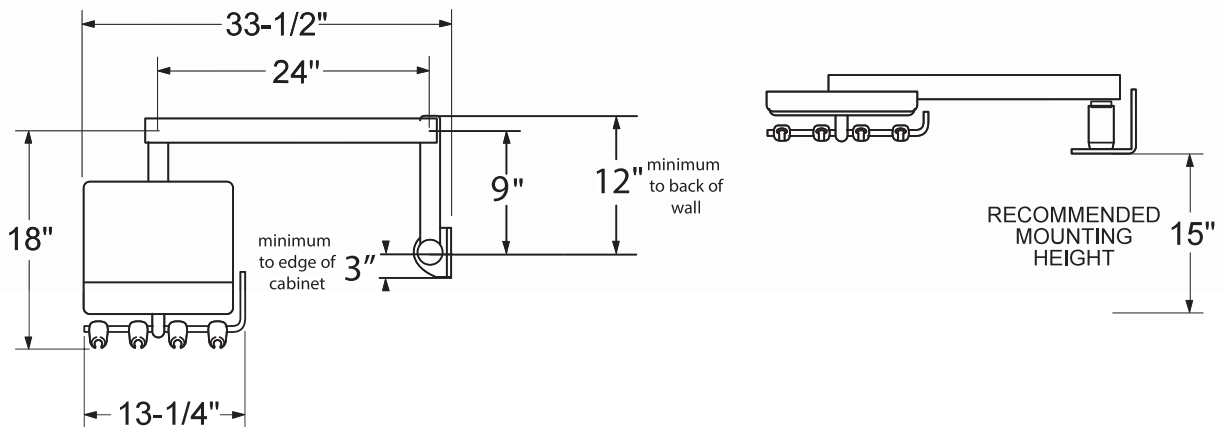


Cabinet is shown for display and not included in price.

## SD-3302

3 HP Automatic Doctor's Side Delivery  
with Pneumatic Brake Flex Arm  
\$3,530.00

## Dimensions





## Features of cabinet mounted systems

SD-3302

3 handpiece automatic control	■
3-way air/water syringe	■
Master ON/OFF toggle with indicator	■
Pressure adjustment for each handpiece	■
Easy to read pressure gauge	■
Air coolant adjustment	■
Non-retracting water coolant adjustment and purge	■
Asepsis handpiece tubing, sterling	■
Asepsis flex arm system with pneumatic brake, 9" rigid arm, 39" reach, 19" vertical travel	■
2" dia. wall mount bracket	■
Standard disc foot control	■
Master valve assembly with filter and regulator	■
7' umbilical tubing	■

## Options

### Part Number

### Price

Delete master valve assembly with filter and regulator	144-027	\$300.00 Deduct	■
Delete handpiece station with tubing		\$50.00 Deduct	■
Additional handpiece station with tubing (dry only)		\$160.00 Add	■
2" dia. post mount rigid arm, 24" (in lieu of 9" arm)	106-302	n/c	■
Additional umbilical tubing (per foot)	115-500S	\$12.00 Add	■
Silcryn™ tubing		\$20.00 Add	■

Hepa Filter  
119-027  
\$45.00  
page 98



Water Bottle Kit  
110-032, page 107  
\$162.00



Handpiece Illumination System  
with Delay, 5 and 6 pin  
115-713, 115-703  
pages 113 and 114



Wall Mount Board  
106-209  
\$170.00  
page 121



Utility Center Housing  
144-015, page 106  
\$120.00



Wall Mounting Plate  
105-316  
\$190.00



Foot Controls, page 109

126-133	Chip Blower in lieu of standard disc type .....	\$120.00 Add
126-260	Wet/Dry in lieu of standard disc type .....	\$100.00 Add
126-203	Wet/Dry Chip Blower in lieu of standard disc type .....	\$160.00 Add



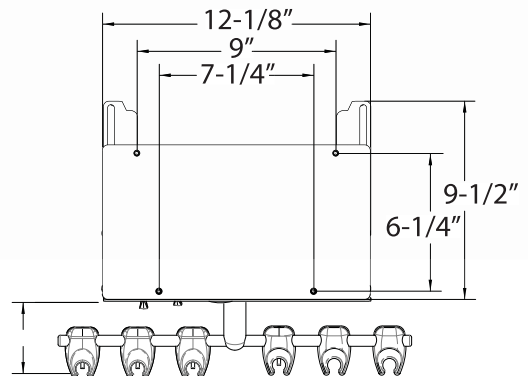
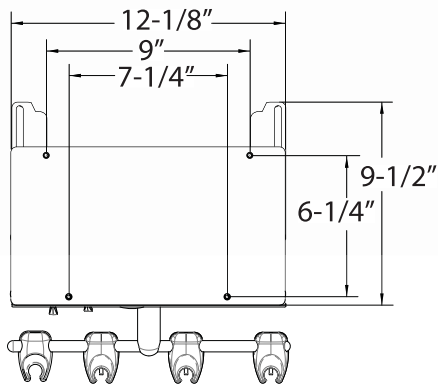
### RD-3103

3 HP Automatic Rear Delivery  
 Beneath Shelf Mount Control Head  
 \$1,720.00

### RD-3153

3 HP Automatic Rear Delivery  
 Beneath Shelf Mount Control Head with Vacuum  
 \$1,920.00

### Dimensions



## Features of rear delivery systems

RD-3103 RD-3153

3 Handpiece automatic	■	■
Non-retracting water coolant, adjustment and purge	■	■
Pressure adjustment for each handpiece	■	■
easy to read pressure gauge	■	■
Autoclavable HVE, saliva ejector valve and tubing		■
Standard disc foot control	■	■
Vacuum canister with removable screen (131-052)		■
3-way air/water syringe	■	■
Master ON/OFF toggle with indicator	■	■
Asepsis handpiece tubing, sterling	■	■
Master valve assembly with filter and regulator	■	■
7' umbilical tubing	■	■

## Options

### Part Number

### Price

Delete master valve assembly with filter and regulator	144-027	\$300.00 Deduct	■	■
Delete handpiece station with tubing		\$50.00 Deduct	■	■
Additional handpiece station with tubing (dry only)		\$160.00 Add	■	■
Additional umbilical tubing (per foot)	115-503	\$12.00 Add	■	■
Additional syringe with holder and tubing	113-515	\$125.00 Add	■	■
1/4" Quick disconnect	024-003	\$28.00 Add	■	■
Silcryn™ tubing		\$30.00 Add		■
Silcryn™ tubing		\$20.00 Add	■	

#### Water Bottle Kit

110-040  
\$170.00



**Non returnable when ordered as an option**

#### Handpiece Illumination System

with Delay, 5 and 6 pin  
115-713, 115-703  
pages 113 and 114



#### Additional HVE Valve with

Tubing and Holder  
030-014  
\$84.00



#### Vacuum Canister Mounting Bracket

131-034, page 98  
\$26.00



#### Foot Controls, page 109

126-133	Chip Blower in lieu of standard disc type .....	\$120.00 Add
126-260	Wet/Dry in lieu of standard disc type .....	\$100.00 Add
126-203	Wet/Dry Chip Blower in lieu of standard disc type .....	\$160.00 Add



RD-3102



RD-3152



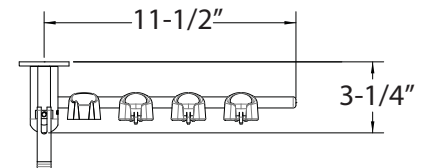
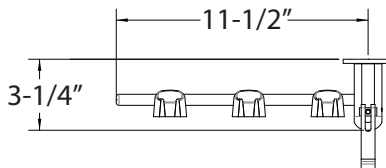
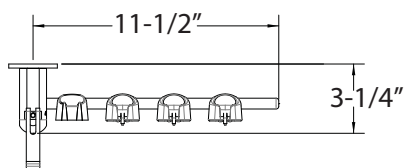
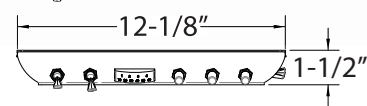
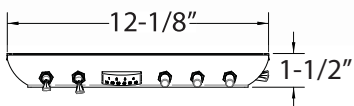
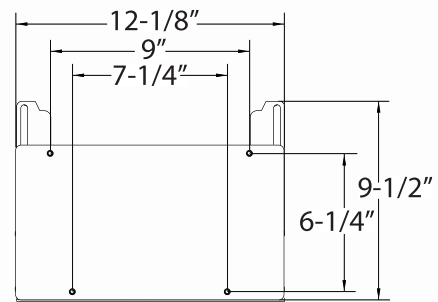
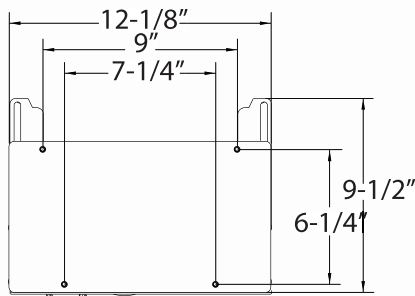
## RD-3102

3 HP Automatic Rear Delivery Beneath Shelf Mount  
Control Head  
\$1,870.00

## RD-3152

3 HP Automatic Rear Delivery  
Beneath Shelf Mount Control Head with Vacuum  
\$2,320.00

## Dimensions



## Features of rear delivery systems

	RD-3102	RD-3152
3 handpiece automatic	■	■
Non retracting water coolant, adjustment and purge	■	■
Pressure adjustment for each handpiece	■	■
Easy to read pressure gauge	■	■
Autoclavable HVE, saliva ejector valve and tubing		■
Standard disc foot control	■	■
Vacuum canister with removable screen (131-052)		■
Dual 3-way air/water syringes		■
3-way air/water syringe	■	
Master ON/OFF toggle with indicator	■	■
Asepsis handpiece tubing, sterling	■	■
Master valve assembly with filter and regulator	■	■
7' umbilical tubing	■	■

Options	Part Number	Price		
Delete master valve assembly with filter and regulator	144-027	\$300.00 Deduct	■	■
Delete handpiece station with tubing		\$50.00 Deduct	■	■
Additional handpiece station with tubing (dry only)		\$160.00 Add	■	■
Additional umbilical tubing (per foot)	115-503	\$12.00 Add	■	■
1/4" Quick disconnect	024-003	\$28.00 Add	■	■
Silcryn™ tubing		\$35.00 Add		■
Silcryn™ tubing		\$20.00 Add	■	

Water Bottle Kit  
110-040  
\$170.00



**Non returnable when ordered as an option**

Handpiece Illumination System  
with Delay, 5 and 6 pin  
115-713, 115-703  
pages 113 and 114



Additional HVE Valve with  
Tubing and Holder  
030-014  
\$84.00



Vacuum Canister Mounting Bracket  
131-034, page 98  
\$26.00



Foot Controls, page 109

126-133	Chip Blower in lieu of standard disc type .....	\$120.00 Add
126-260	Wet/Dry in lieu of standard disc type .....	\$100.00 Add
126-203	Wet/Dry Chip Blower in lieu of standard disc type .....	\$160.00 Add



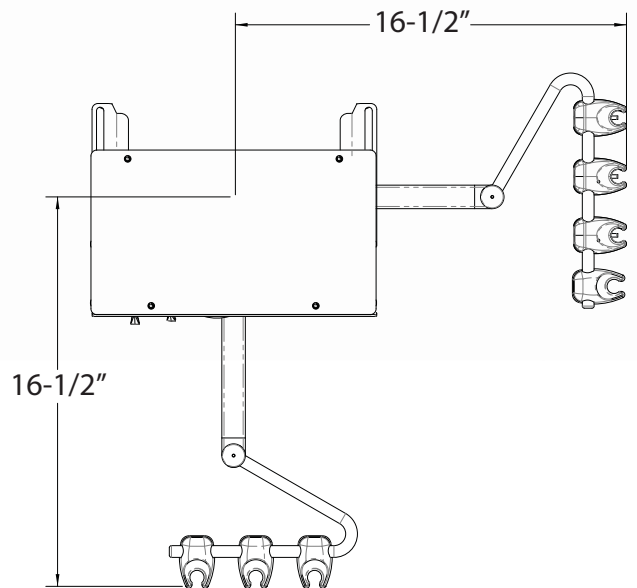
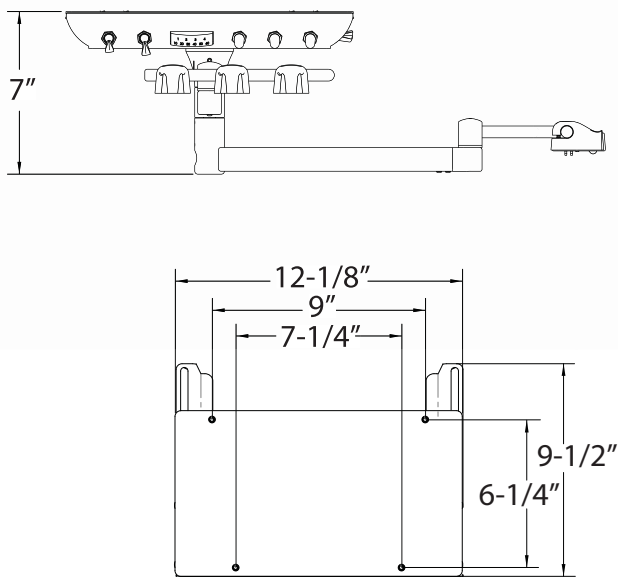
### RD-3100

3 HP Automatic Rear Delivery Unit With Left/Right Swing  
 \$2,090.00

### RD-3150

3 HP Automatic Rear Delivery Left/Right Duo Swing with Vacuum  
 \$2,550.00

### Dimensions



## Features of rear delivery systems

RD-3100 RD-3150

3 handpiece automatic	■	■
Non retracting water coolant, adjustment and purge	■	■
Pressure adjustment for each handpiece	■	■
Easy to read pressure gauge	■	■
Autoclavable HVE, saliva ejector valve and tubing		■
Standard disc foot control	■	■
Vacuum canister with removable screen (131-052)		■
Dual 3-way air/water syringe		■
3-way air/water syringe	■	
Master ON/OFF toggle with indicator	■	■
Asepsis handpiece tubing, sterling	■	■
Master valve assembly with filter and regulator	■	■
7' umbilical tubing	■	■

## Options

Part Number Price

Delete master valve assembly with filter and regulator	144-027	\$300.00 Deduct	■	■
Delete handpiece station with tubing		\$50.00 Deduct	■	■
Additional handpiece station with tubing (dry only)		\$160.00 Add	■	■
Additional umbilical tubing (per foot)	115-503	\$12.00 Add	■	■
1/4" Quick disconnect	024-003	\$28.00 Add	■	■
Silcryn™ tubing		\$35.00 Add		■
Silcryn™ tubing		\$20.00 Add	■	

### Water Bottle Kit

110-040  
\$170.00



Non returnable when ordered as an option

### Handpiece Illumination System

with Delay, 5 and 6 pin  
115-713, 115-703  
pages 113 and 114



### Additional HVE Valve with

Tubing and Holder  
030-014  
\$84.00



### Vacuum Canister Mounting Bracket

131-034, page 98  
\$26.00



### Foot Controls, page 109

126-133	Chip Blower in lieu of standard disc type .....	\$120.00 Add
126-260	Wet/Dry in lieu of standard disc type .....	\$100.00 Add
126-203	Wet/Dry Chip Blower in lieu of standard disc type .....	\$160.00 Add



RD-3101



RD-3151

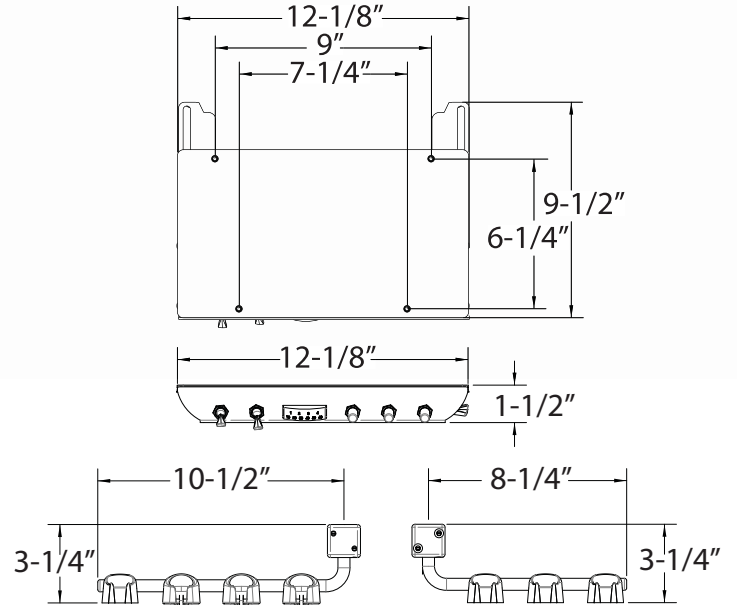
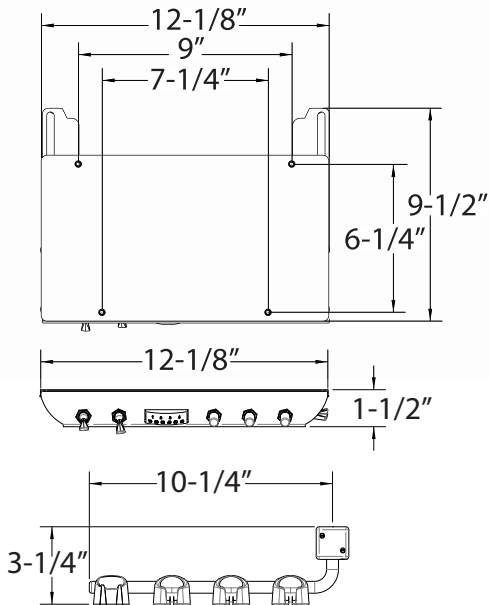
### RD-3101

3 HP Automatic Rear Delivery Beneath Shelf Mount  
\$1,800.00

### RD-3151

3 HP Automatic Rear Delivery  
Beneath Shelf Mount Control Head with Vacuum  
\$2,030.00

### Dimensions





## Features of rear delivery systems

	RD-3101	RD-3151
3 handpiece automatic	■	■
Non retracting water coolant, adjustment & purge	■	■
Pressure adjustment for each handpiece	■	■
Easy to read pressure gauge	■	■
Autoclavable HVE, saliva ejector valve & tubing		■
Standard disc foot control	■	■
Vacuum canister with removable screen (131-052)		■
3-way air/water syringe	■	
Dual 3-way air/water syringes		■
Master ON/OFF toggle with indicator	■	■
Asepsis handpiece tubing, sterling	■	■
Master valve assembly with filter and regulator	■	■
7' umbilical tubing	■	■

Options	Part Number	Price		
Delete master valve assembly with filter and regulator	144-027	\$300.00 Deduct	■	■
Delete handpiece station with tubing		\$50.00 Deduct	■	■
Additional handpiece station with tubing (dry only)		\$160.00 Add	■	■
1/4" Quick disconnect	024-003	\$28.00 Add	■	■
Additional umbilical tubing (per foot)	115-503	\$12.00 Add	■	■
Silcryn™ tubing		\$35.00 Add		■
Silcryn™ tubing		\$20.00 Add	■	

Water Bottle Kit  
110-040  
\$170.00



**Non returnable when ordered as an option**

Handpiece Illumination System  
with Delay, 5 and 6 pin  
115-713, 115-703  
pages 113 and 114



Additional HVE Valve with  
Tubing and Holder  
030-014  
\$84.00



Vacuum Canister Mounting Bracket  
131-034, page 98  
\$26.00



Foot Controls, page 109

126-133	Chip Blower in lieu of standard disc type .....	\$120.00 Add
126-260	Wet/Dry in lieu of standard disc type .....	\$100.00 Add
126-203	Wet/Dry Chip Blower in lieu of standard disc type .....	\$160.00 Add



Filter/Regulators must be ordered separately on RD-4251

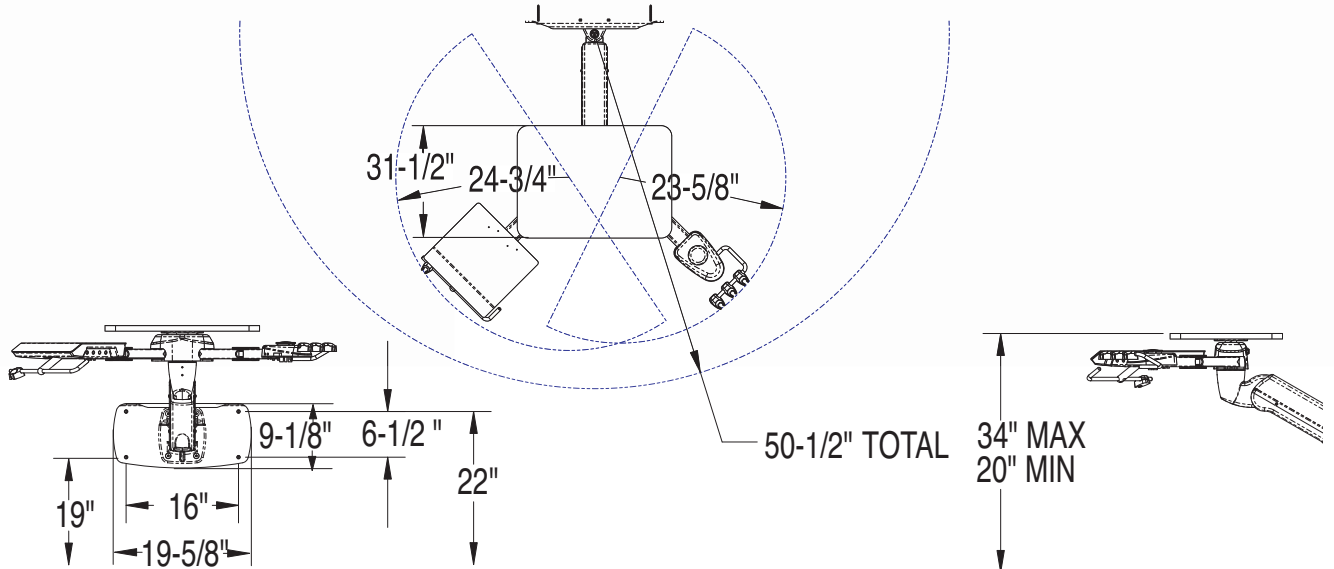
### RD-4250

3 HP Automatic Rear Delivery  
 Wall Mounted Duo System with Pneumatic Brake Flex Arm and Vacuum  
 \$6,500.00

### RD-4251

Wall Mounted Assistant's Side Only  
 with Pneumatic Brake Flex Arm  
 \$4,450.00

### Dimensions



## Features of rear delivery systems

RD-4250 RD-4251

3 handpiece automatic	■	
Non retracting water coolant, adjustment & purge	■	
Pressure adjustment for each handpiece	■	
Easy to read pressure gauge	■	
Autoclavable HVE & saliva ejector valve with tubing	■	■
Standard disc foot control	■	
Vacuum canister with removable screen (131-053)	■	■
Dual 3-way air/water syringes	■	
3-way air/water syringe		■
Master ON/OFF toggle with indicator	■	
Asepsis handpiece tubing, sterling	■	
16" x 22" Starboard™ Work Surface, Dolphin Grey	■	■
Master valve assembly with filter and regulator	■	
7' umbilical tubing	■	■
Wall Mounting Plate	■	■

## Options

### Part Number

### Price

Delete master valve assembly with filter and regulator	144-027	\$300.00 Deduct	■	■
Delete handpiece station with tubing		\$50.00 Deduct	■	
Additional handpiece station with tubing (dry only)		\$160.00 Add	■	■
Additional umbilical tubing (per foot)	115-511	\$12.00 Add	■	■
Storage organizer	110-016	\$315.00 Add	■	■
Delete Wall Mount Plate	105-316	\$190.00 Deduct	■	■
QD Kit (3/8" QD's)	024-008	\$34.00 Add	■	■
QD Kit (1/4" QD's)	024-003	\$28.00 Add	■	■
Silcryn™ tubing		\$35.00 Add	■	
Silcryn™ tubing		\$15.00 Add		■

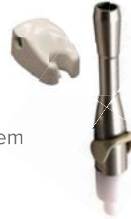
Water Bottle Kit  
110-032, page 107  
\$162.00



10" Extension Arm  
105-315  
\$625.00



Additional HVE Valve with  
Tubing and Holder  
030-014  
\$84.00



Utility Center Housing  
144-015, page 106  
\$120.00



Hepa Filter  
119-027  
\$45.00  
page 98



Handpiece Illumination System  
with Delay, 5 and 6 pin  
115-713, 115-703  
pages 113 and 114



Foot Controls, page 109

126-133	Chip Blower in lieu of standard disc type .....	\$120.00 Add
126-260	Wet/Dry in lieu of standard disc type .....	\$100.00 Add
126-203	Wet/Dry Chip Blower in lieu of standard disc type .....	\$160.00 Add



Filter/Regulators must be ordered separately

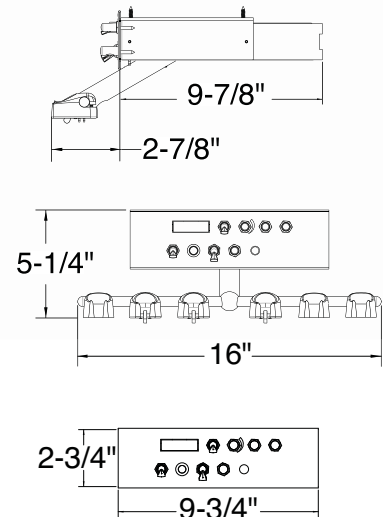
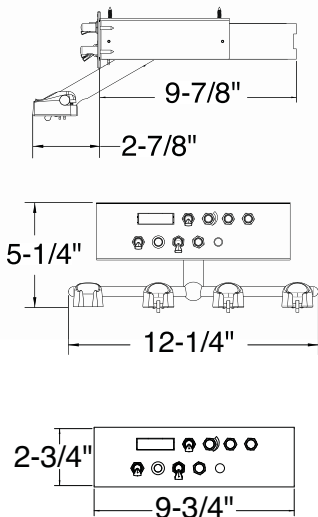
### RD-4600

3 Handpiece Under Counter Mount  
\$1,500.00

### RD-4650

3 Handpiece Automatic Rear Delivery Duo-Under Counter Mount with Vacuum  
\$1,700.00

### Dimensions



## Features of rear delivery systems

RD-4600 RD-4650

3 handpiece automatic	■	■
Non retracting water coolant, adjustment & purge	■	■
Pressure adjustment for each handpiece	■	■
Easy to read pressure gauge	■	■
Autoclavable HVE & saliva ejector valve with tubing		■
Standard disc foot control	■	■
3-way air/water syringe	■	■
Vacuum canister with removable screen (131-052)		■
Master ON/OFF toggle with indicator	■	■
Asepsis handpiece tubing, sterling	■	■
7' umbilical tubing	■	■

## Options

### Part Number

### Price

Options	Part Number	Price		
Master valve assembly with filter and regulator	144-027	\$300.00 Add	■	■
Delete handpiece station with tubing		\$50.00 Deduct	■	■
Additional handpiece station with tubing (dry only)		\$160.00 Add	■	■
Additional umbilical tubing (per foot)	115-503	\$12.00 Add	■	■
Silcryn™ tubing		\$20.00 Add	■	
Silcryn™ tubing		\$30.00 Add	■	■
Additional Syringe	113-515	\$120.00 Add		■

Water Bottle Kit  
110-032, page 107  
\$162.00



Handpiece Illumination System  
with Delay, 5 and 6 pin  
115-713, 115-703  
pages 113 and 114



Additional HVE Valve with  
Tubing and Holder  
030-014  
\$84.00



Hepa Filter  
119-027  
\$45.00  
page 98



Vacuum Canister Mounting Bracket  
131-034, page 98  
\$26.00



Foot Controls, page 109

126-133	Chip Blower in lieu of standard disc type .....	\$120.00 Add
126-260	Wet/Dry in lieu of standard disc type .....	\$100.00 Add
126-203	Wet/Dry Chip Blower in lieu of standard disc type .....	\$160.00 Add



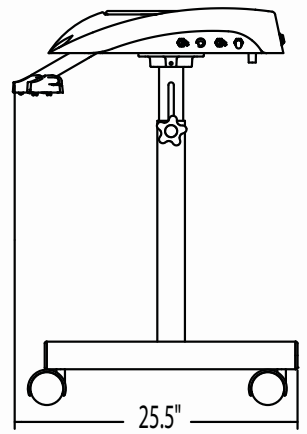
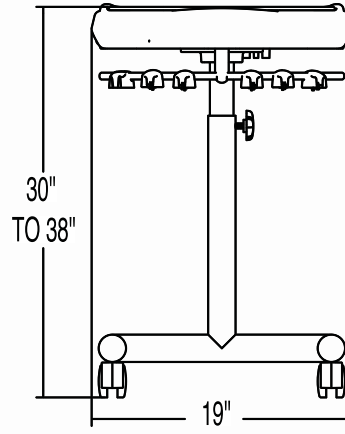
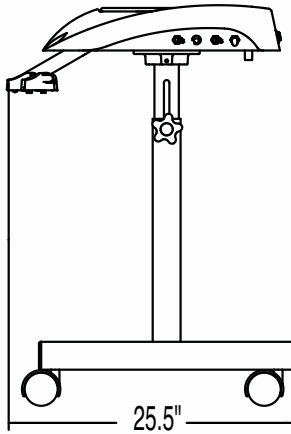
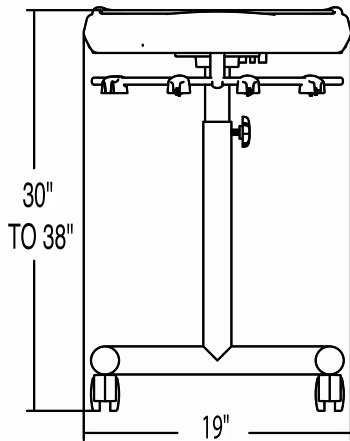
### S-4300

3 HP Automatic Cart  
\$2,830.00

### S-4350

3 HP Automatic Duo Cart with Vacuum  
\$2,930.00

### Dimensions



## Features of mobile systems

S-4300 S-4350

3 handpiece automatic	■	■
3-way air/water syringe	■	■
Master ON/OFF toggle with indicator	■	■
Pressure adjustment for each handpiece	■	■
Non-retracting water coolant, adjustment & purge	■	■
Easy to read pressure gauge	■	■
Asepsis handpiece tubing, sterling	■	■
Removable Starboard™ tray Insert, Dolphin Grey	■	■
Painted H-frame with height adjustment, 27" to 35"	■	■
Vacuum canister with removable screen (131-053)		■
Autoclavable HVE & saliva ejector valve with tubing		■
Standard disc foot control	■	■
Utility center assembly, with valves and regulators	■	■
7' umbilical tubing	■	■

## Options

Part Number Price

Delete utility center	144-018	\$420.00 Deduct	■	■
Delete handpiece station with tubing		\$50.00 Deduct	■	■
Additional umbilical tubing (per foot)	115-505	\$12.00 Add	■	
Additional umbilical tubing (per foot)	115-502	\$12.00 Add		■
Replacement Work Surface	107-153	\$120.00 Add	■	■
Silcryn™ tubing		\$20.00 Add	■	
Silcryn™ tubing		\$30.00 Add		■
Additional handpiece station with tubing (dry only)		\$160.00 Add	■	■
Additional syringe for doctors or assistant's side	113-515	\$125.00 Add	■	■
1/4" Quick disconnect	024-003	\$28.00 Add	■	■
3/8" Quick disconnect	024-008	\$34.00 Add	■	■

Hepa Filter

119-027

\$45.00

page 98



Water Bottle Kits, page 107

110-004

\$172.00

110-028

\$224.00



Handpiece Illumination System

with Delay, 5 and 6 pin

115-713, 115-703

pages 113 and 114



Arm-mounted Tray &

Tray Holder

105-053, page 94

\$345.00



Additional HVE Valve with

Tubing and Holder

030-014

\$84.00 (S-4350)



Foot Controls, page 109

126-133 Chip Blower in lieu of standard disc type ..... \$120.00 Add

126-260 Wet/Dry in lieu of standard disc type ..... \$100.00 Add

126-203 Wet/Dry Chip Blower in lieu of standard disc type ..... \$160.00 Add



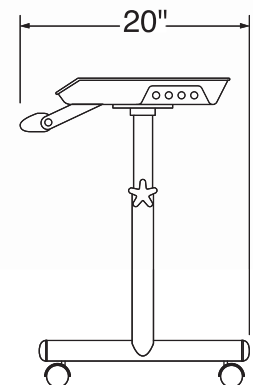
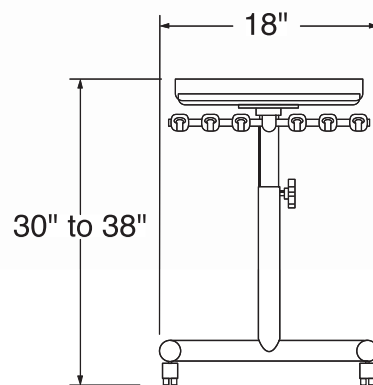
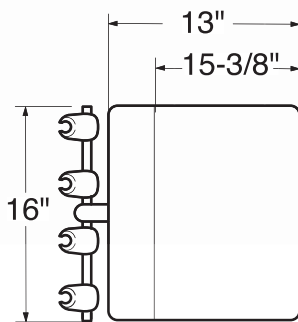
### S-4100

3 HP Automatic Doctor's Cart  
\$2,460.00

### S-4150

3 HP Automatic Duo Cart with Vacuum  
\$2,730.00

### Dimensions



Dimensional information applies to S-4100 & S-4150



## Features of mobile systems

	S-4100	S-4150
3 handpiece automatic	■	■
3-way air/water syringe	■	■
Master ON/OFF toggle with indicator	■	■
Pressure adjustment for each handpiece	■	■
Easy to read pressure gauge	■	■
Non-retracting water coolant, adjustment and purge	■	■
Asepsis handpiece tubing, sterling	■	■
Painted H-frame with height adjustment, 27" to 35"	■	■
Vacuum canister with removable screen (131-053)		■
Autoclavable HVE and saliva ejector valve with tubing		■
Standard disc foot control	■	■
Utility center assembly, with valves and regulators	■	■
7' umbilical tubing	■	■

## Options

	Part Number	Price		
Delete utility center	144-018	\$420.00 Deduct	■	■
Delete handpiece station with tubing		\$50.00 Deduct	■	■
Additional handpiece station with tubing (dry only)		\$160.00 Add	■	■
Additional syringe for doctor or assistant's side	113-515	\$125.00 Add	■	■
Additional umbilical tubing (per foot)	115-505	\$12.00 Add	■	
Additional umbilical tubing (per foot)	115-502	\$12.00 Add		■
1/4" QD	024-003	\$28.00 Add	■	■
3/8" QD	024-008	\$34.00 Add	■	■
Silcryn™ tubing		\$20.00 Add	■	
Silcryn™ tubing		\$30.00 Add		■

Hepa Filter  
119-027  
\$45.00  
page 98



Water Bottle Kits, page 107

110-004 \$172.00  
110-028 \$224.00



Handpiece Illumination System  
with Delay, 5 and 6 pin  
115-713, 115-703  
pages 113 and 114



Additional HVE Valve with  
Tubing and Holder  
030-014  
\$84.00 (S-4150)



Foot Controls, page 109

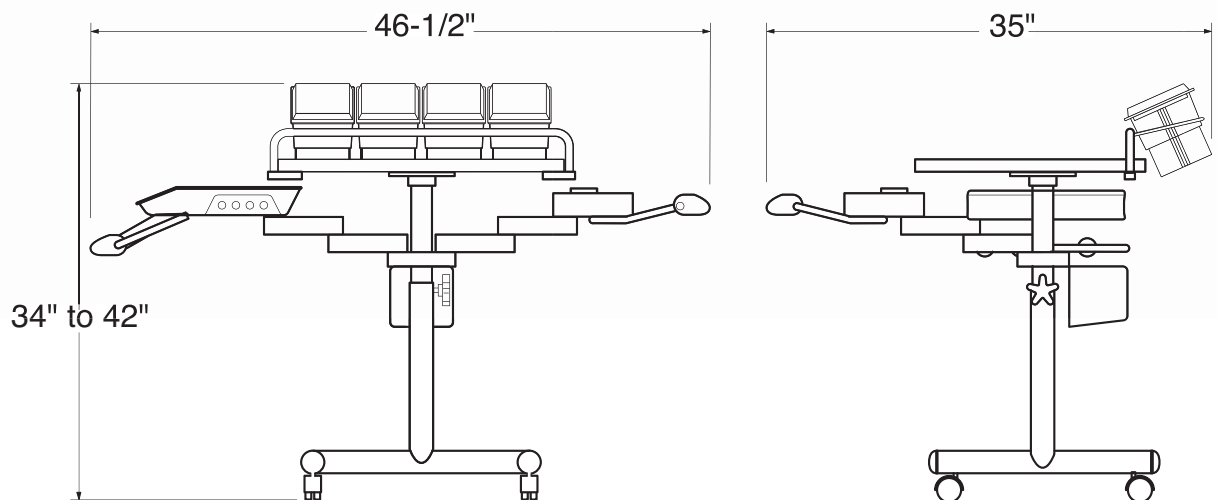
126-133	Chip Blower in lieu of standard disc type .....	\$120.00 Add
126-260	Wet/Dry in lieu of standard disc type .....	\$100.00 Add
126-203	Wet/Dry Chip Blower in lieu of standard disc type .....	\$160.00 Add



## S-4250

3 HP Automatic Duo Swing Cart  
with Vacuum  
\$4,150.00

## Dimensions



## Features of mobile systems

S-4250

3 handpiece automatic	■
360° swing for easy left/right conversion	■
Master ON/OFF toggle with indicator	■
Pressure adjustment for each handpiece	■
Easy to read pressure gauge	■
Non-retracting water coolant, adjustment and purge	■
Asepsis handpiece tubing, sterling	■
16" x 22" Starboard™ Work Surface, Dolphin Grey	■
Storage organizer assembly	■
Painted H-frame with height adjustment, 27" to 35"	■
Vacuum canister with removable screen (131-053)	■
3-way air/water syringe	■
Autoclavable HVE and saliva ejector valve with tubing	■
Standard disc foot control	■
Utility center assembly, with valves and regulators	■
7' umbilical tubing	■

## Options

## Part Number

## Price

Delete utility center	144-018	\$420.00 Deduct	■
Delete handpiece station with tubing		\$50.00 Deduct	■
Additional handpiece station with tubing (dry only)		\$160.00 Add	■
Additional syringe on doctor's side	113-515	\$125.00 Add	■
Delete storage organizer	110-016	\$315.00 Deduct	■
Quick disconnect kit (1/4" with bracket and hardware)	030-015	\$40.00 Add	■
Quick disconnect kit (1/4" and 3/8" with bracket and hardware)	030-013	\$115.00 Add	■
Additional umbilical tubing (per foot)	115-511	\$12.00 Add	■
Silcryn™ tubing		\$30.00 Add	■

Arm-mounted Tray &  
Tray Holder  
105-053, page 94  
\$345.00



Water Bottle Kits, page 107  
110-004 \$172.00  
110-028 \$224.00



Handpiece Illumination System  
with Delay, 5 and 6 pin  
115-713, 115-703  
pages 113 and 114



Additional HVE Valve with  
Tubing and Holder  
030-014  
\$84.00



Hepa Filter  
119-027  
\$45.00  
page 98



Foot Controls, page 109

126-133	Chip Blower in lieu of standard disc type .....	\$120.00 Add
126-260	Wet/Dry in lieu of standard disc type .....	\$100.00 Add
126-203	Wet/Dry Chip Blower in lieu of standard disc type .....	\$160.00 Add



### A-3100

3 HP Automatic Swing Cart

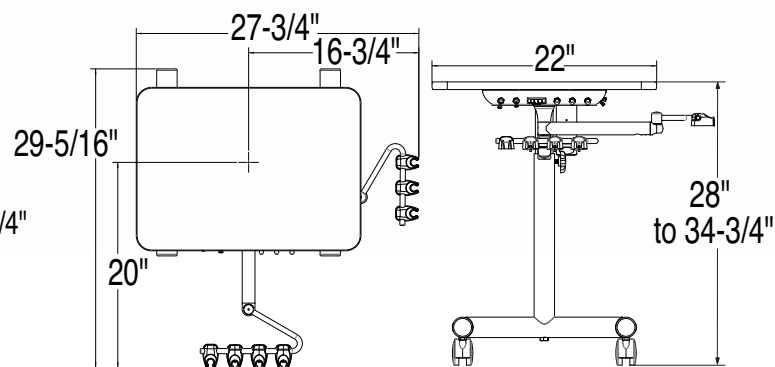
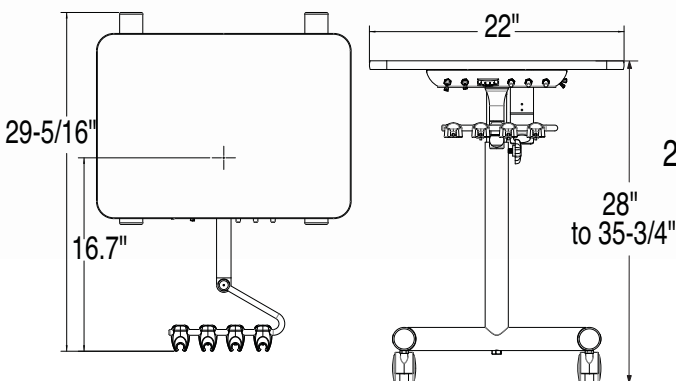
\$2,950.00

### A-3150

3 HP Automatic Duo Swing Cart  
with Vacuum

\$3,550.00

### Dimensions



## Features of mobile systems

A-3100 A-3150

3 handpiece automatic	■	■
3-way air/water syringe	■	■
Dual 3-way air/water syringes		■
Master ON/OFF toggle with indicator	■	■
Pressure adjustment for each handpiece	■	■
Easy to read pressure gauge	■	■
Non-retracting water coolant adjustment, and purge	■	■
Asepsis handpiece tubing, sterling	■	■
16" x 22" Starboard™ Work Surface, Dolphin Grey	■	■
Painted H-frame with height adjustment, 27" to 35"	■	■
Vacuum canister with removable screen (131-052)		■
Autoclavable HVE and saliva ejector valve with tubing		■
Standard disc foot control	■	■
Utility center assembly, with valves and regulators	■	■
7' umbilical tubing	■	■

## Options

Part Number Price

Delete utility center	144-018	\$420.00 Deduct	■	■
Delete handpiece station with tubing		\$50.00 Deduct	■	■
Additional handpiece station with tubing (dry only)		\$160.00 Add	■	■
Additional syringe	113-515	\$125.00 Add	■	■
Storage organizer assembly	110-016	\$315.00 Add	■	■
Quick disconnect kit (1/4" and 3/8" with bracket and hardware)	030-013	\$115.00 Add	■	■
Quick disconnect (1/4" installed on unit no bracket required)	024-003	\$26.00 Add	■	■
Additional umbilical tubing (per foot)	115-505	\$12.00 Add	■	
Additional umbilical tubing (per foot)	115-506	\$12.00 Add		■
Silcryn™ tubing		\$30.00 Add		■
Silcryn™ tubing		\$20.00 Add	■	

Water Bottle Kits  
110-076, page 107  
\$250.00



Additional HVE Valve with  
Tubing and Holder  
030-014  
\$84.00 (A-4150)



Handpiece Illumination System  
with Delay, 5 and 6 pin  
115-713, 115-703  
pages 113 and 114



Arm-mounted Tray &  
Tray Holder  
105-053, page 94  
\$345.00



Foot Controls, page 109

126-133	Chip Blower in lieu of standard disc type .....	\$120.00 Add
126-260	Wet/Dry in lieu of standard disc type .....	\$100.00 Add
126-203	Wet/Dry Chip Blower in lieu of standard disc type .....	\$160.00 Add



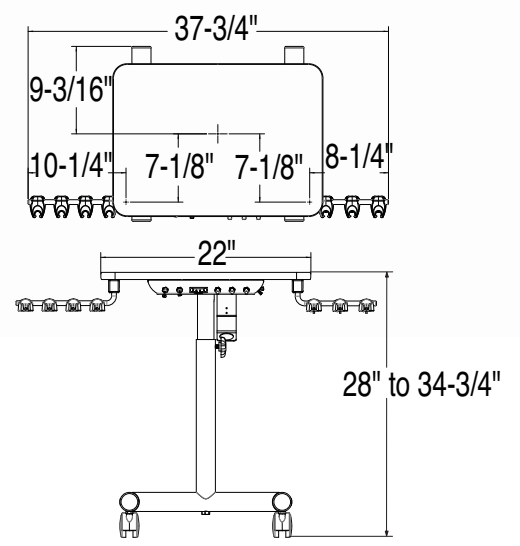
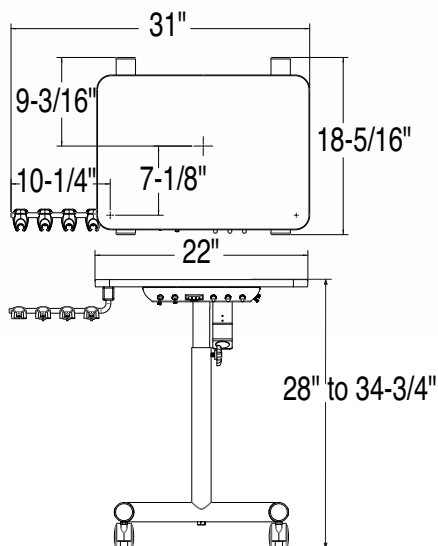
### A-3101

3 HP Automatic Cart  
\$2,780.00

### A-3151

3 HP Automatic Cart  
with Vacuum  
\$2,900.00

### Dimensions



## Features of mobile systems

	A-3101	A-3151
3 handpiece automatic	■	■
3-way air/water syringe	■	■
Dual 3-way air/water syringes		■
Master ON/OFF toggle with indicator	■	■
Pressure adjustment for each handpiece	■	■
Easy to read pressure gauge	■	■
Non-retracting water coolant adjustment, and purge	■	■
Asepsis handpiece tubing, sterling	■	■
16" x 22" Starboard™ Work Surface, Dolphin Grey	■	■
Painted H-frame with height adjustment, 27" to 35"	■	■
Vacuum canister with removable screen (131-052)		■
Autoclavable HVE and saliva ejector valve with tubing		■
Standard disc foot control	■	■
Utility center assembly, with valves and regulators	■	■
7' umbilical tubing	■	■

## Options

Options	Part Number	Price		
Delete utility center	144-018	\$420.00 Deduct	■	■
Delete handpiece station with tubing		\$50.00 Deduct	■	■
Additional handpiece station with tubing (dry only)		\$160.00 Add	■	■
Storage organizer assembly	110-016	\$315.00 Add	■	■
Quick disconnect kit (1/4" and 3/8" with bracket and hardware)	030-013	\$110.00 Add	■	■
Quick disconnect kit (1/4" with bracket and hardware)	030-015	\$40.00 Add	■	■
Additional umbilical tubing (per foot)	115-505	\$12.00 Add	■	
Additional umbilical tubing (per foot)	115-506	\$12.00 Add		■
Silcryn™ tubing		\$30.00 Add		■
Silcryn™ tubing		\$20.00 Add	■	

Water Bottle Kits  
110-076, page 107  
\$250.00



Additional HVE Valve with  
Tubing and Holder  
030-014  
\$84.00 (A-4150)



Handpiece Illumination System  
with Delay, 5 and 6 pin  
115-713, 115-703  
pages 113 and 114



Arm-mounted Tray &  
Tray Holder  
105-053, page 94  
\$345.00



Foot Controls, page 109

126-133	Chip Blower in lieu of standard disc type .....	\$120.00 Add
126-260	Wet/Dry in lieu of standard disc type .....	\$100.00 Add
126-203	Wet/Dry Chip Blower in lieu of standard disc type .....	\$160.00 Add



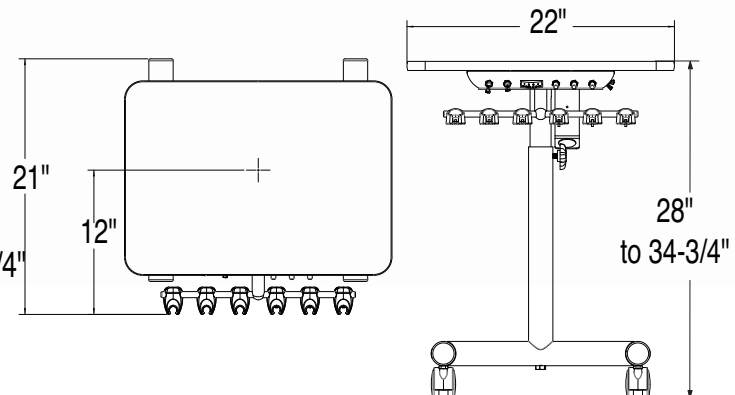
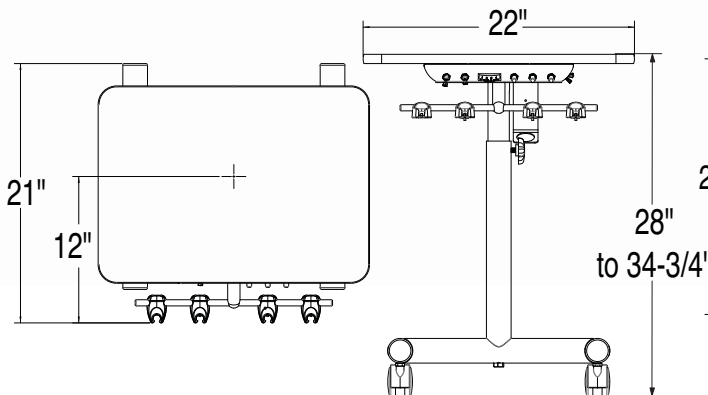
### A-3103

3 HP Automatic Cart  
\$2,620.00

### A-3153

3 HP Automatic Cart  
with Vacuum  
\$2,830.00

### Dimensions





## Features of mobile systems

	A-3103	A-3153
3 handpiece automatic	■	■
3-way air/water syringe	■	■
Master ON/OFF toggle with indicator	■	■
Pressure adjustment for each handpiece	■	■
Easy to read pressure gauge	■	■
Non-retracting water coolant adjustment, and purge	■	■
Asepsis handpiece tubing, sterling	■	■
16" x 22" Starboard™ Work Surface, Dolphin Grey	■	■
Painted H-frame with height adjustment, 27" to 35"	■	■
Vacuum canister with removable screen (131-052)		■
Autoclavable HVE and saliva ejector valve with tubing		■
Standard disc foot control	■	■
Utility center assembly, with valves and regulators	■	■
7' umbilical tubing	■	■

## Options

Options	Part Number	Price		
Delete utility center	144-018	\$420.00 Deduct	■	■
Delete handpiece station with tubing		\$50.00 Deduct	■	■
Additional handpiece station with tubing (dry only)		\$160.00 Add	■	■
Additional syringe on assistants side	113-515	\$125.00 Add	■	■
Storage organizer assembly	110-016	\$315.00 Add	■	■
Quick disconnect kit (1/4" and 3/8" with bracket and hardware)	030-013	\$125.00 Add	■	■
Quick disconnect kit (1/4" with bracket and hardware)	030-015	\$40.00 Add	■	■
Additional umbilical tubing (per foot)	115-505	\$12.00 Add	■	
Additional umbilical tubing (per foot)	115-506	\$12.00 Add		■
Silcryn™ tubing		\$30.00 Add		■
Silcryn™ tubing		\$20.00 Add	■	

Water Bottle Kits  
110-076, page 107  
\$250.00



Additional HVE Valve with  
Tubing and Holder  
030-014  
\$84.00 (A-4150)



Handpiece Illumination System  
with Delay, 5 and 6 pin  
115-713, 115-703  
pages 113 and 114



Arm-mounted Tray &  
Tray Holder  
105-053, page 94  
\$345.00



### Foot Controls, page 109

126-133	Chip Blower in lieu of standard disc type .....	\$120.00 Add
126-260	Wet/Dry in lieu of standard disc type .....	\$100.00 Add
126-203	Wet/Dry Chip Blower in lieu of standard disc type .....	\$160.00 Add



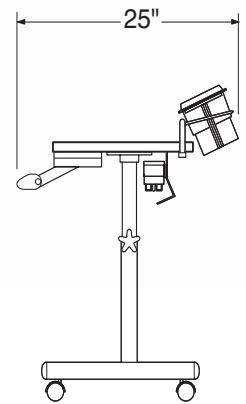
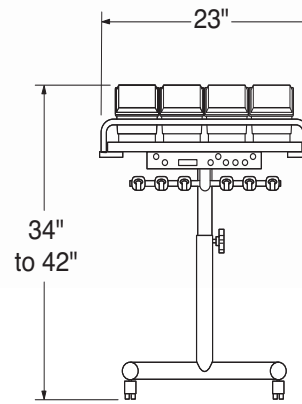
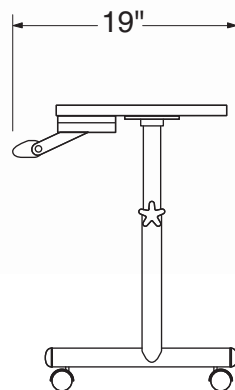
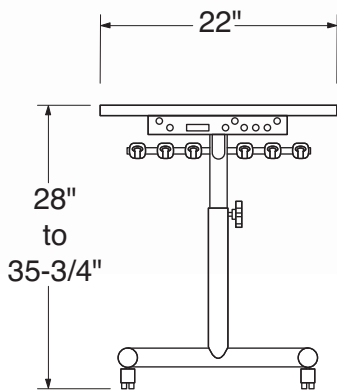
## A-4100

3 HP Automatic Doctor's Cart  
\$2,840.00

## A-4150

3 HP Automatic Doctor's Cart  
with Vacuum  
\$3,400.00

## Dimensions



## Features of mobile systems

A-4100 A-4150

3 handpiece automatic	■	■
3-way air/water syringe	■	■
Master ON/OFF toggle with indicator	■	■
Pressure adjustment for each handpiece	■	■
Easy to read pressure gauge	■	■
Non-retracting water coolant adjustment, and purge	■	■
Asepsis handpiece tubing, sterling	■	■
16" x 22" Starboard™ Work Surface, Dolphin Grey	■	■
Storage organizer assembly		■
Painted H-frame with height adjustment, 27" to 35"	■	■
Vacuum canister with removable screen (131-052)		■
Autoclavable HVE and saliva ejector valve with tubing		■
Standard disc foot control	■	■
Utility center assembly, with valves and regulators	■	■
7' umbilical tubing	■	■

## Options

Part Number Price

Delete utility center	144-018	\$420.00 Deduct	■	■
Delete handpiece station with tubing		\$50.00 Deduct	■	■
Additional handpiece station with tubing (dry only)		\$160.00 Add	■	■
Additional syringe on assistants side	113-515	\$125.00 Add	■	■
Delete storage organizer assembly	110-016	\$315.00 Deduct		■
QD Kit (1/4" and 3/8" w/mounting bracket and hardware)	030-013	\$125.00 Add	■	■
Additional QD Kit (1/4" with mounting bracket)	030-015	\$40.00 Add	■	■
Additional umbilical tubing (per foot)	115-505	\$12.00 Add	■	
Additional umbilical tubing (per foot)	115-506	\$12.00 Add		■
Silcryn™ tubing		\$30.00 Add		■
Silcryn™ tubing		\$20.00 Add	■	

Water Bottle Kits  
110-076, page 107  
\$250.00



Additional HVE Valve with  
Tubing and Holder  
030-014  
\$84.00 (A-4150)



Handpiece Illumination System  
with Delay, 5 and 6 pin  
115-713, 115-703  
pages 113 and 114



Arm-mounted Tray &  
Tray Holder  
105-053, page 94  
\$345.00



Foot Controls, page 109

126-133	Chip Blower in lieu of standard disc type .....	\$120.00 Add
126-260	Wet/Dry in lieu of standard disc type .....	\$100.00 Add
126-203	Wet/Dry Chip Blower in lieu of standard disc type .....	\$160.00 Add



Filter/Regulators must be ordered separately

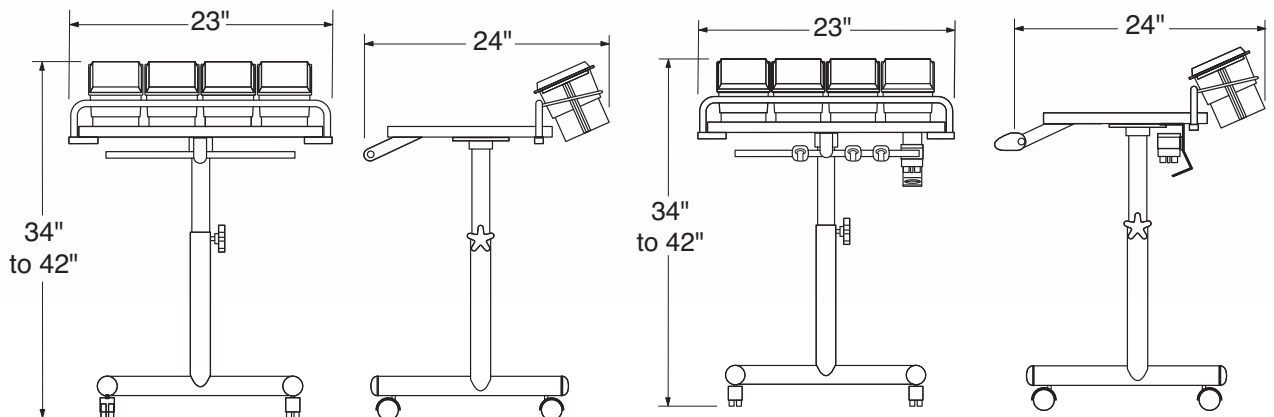
## A-4500

Assistant's Cart  
\$1,310.00

## A-4550

Assistant's Cart with Vacuum  
\$1,670.00

## Dimensions



## Features of Mobile systems

A-4500 A-4550

16" x 22" Starboard™ Work Surface, Dolphin Grey	■	■
Storage organizer assembly	■	■
Painted H-frame with height adjustment, 27" to 35"	■	■
Vacuum canister with removable screen (131-052)		■
3-way air/water syringe		■
Autoclavable HVE and saliva ejector valve with tubing		■
7' umbilical tubing		■

## Options

Options	Part Number	Price		
Delete storage organizer assembly	110-016	\$315.00 Deduct	■	■
QD Kit (1/4" and 3/8" with mounting bracket and hardware)	030-013	\$125.00 Add		■
Additional umbilical tubing (per foot)	115-519	\$12.00 Add		■
Silcryn™ tubing		\$15.00 Add		■

Water Bottle Kits, page 107

110-004    110-028  
\$172.00    \$224.00



Arm-mounted Tray &  
Tray Holder

105-053, page 94  
\$345.00



Utility Center Assembly

144-018, page 106  
\$420.00



Additional HVE Valve  
with Tubing and Holder

030-014  
\$84.00 (A-4550)



Water Bottle Kits  
110-076, page 107

\$250.00





Filter/Regulators must be ordered separately

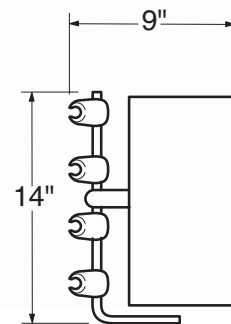
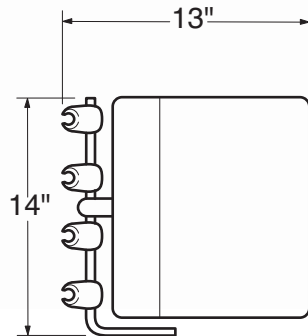
### S-330

3 HP Automatic Control Head Only (tray not included)  
\$1,590.00

### A-300

3 HP Automatic Control Head Only  
\$1,520.00

### Dimensions



## Features of Control head systems

	S-330	A-300
3 handpiece automatic	■	■
3-way air/water syringe	■	■
Master ON/OFF toggle with indicator	■	■
Pressure adjustment for each handpiece	■	■
Non-retracting water coolant adjustment and purge	■	■
Easy to read pressure gauge	■	■
Air coolant adjustment	■	■
Asepsis handpiece tubing, sterling	■	■
Standard disc foot control	■	■
7' umbilical tubing	■	■

## Options

Options	Part Number	Price		
Delete handpiece station with tubing		\$50.00 Deduct	■	■
Additional handpiece station with tubing (dry only)		\$160.00 Add	■	■
Add stainless steel tray, 10" x 6-1/2" and pad	010-002	\$52.00 Add	■	■
Add stainless steel tray, 9 3/4" x 13-1/2" and pad	010-001	\$62.00 Add	■	■
Add plastic tray, 9 3/4" x 13-1/2"	010-051	\$32.00 Add	■	■
Additional umbilical tubing (per foot)	115-503	\$12.00 Add	■	
Additional umbilical tubing (per foot)	115-505	\$12.00 Add		■
Silcryn™ tubing		\$20.00 Add	■	■

Bracket for 1/2" dia. pin mount  
105-060, page 92  
\$42.00



Hepa Filter  
119-027  
\$45.00  
page 98  
(S-330 head only)



Utility Center Assembly  
144-018, page 106  
\$420.00



Handpiece Illumination System  
with Delay, 5 and 6 pin  
115-713, 115-703  
pages 113 and 114



Foot Controls, page 109

126-133	Chip Blower in lieu of standard disc type .....	\$120.00 Add
126-260	Wet/Dry in lieu of standard disc type .....	\$100.00 Add
126-203	Wet/Dry Chip Blower in lieu of standard disc type .....	\$160.00 Add



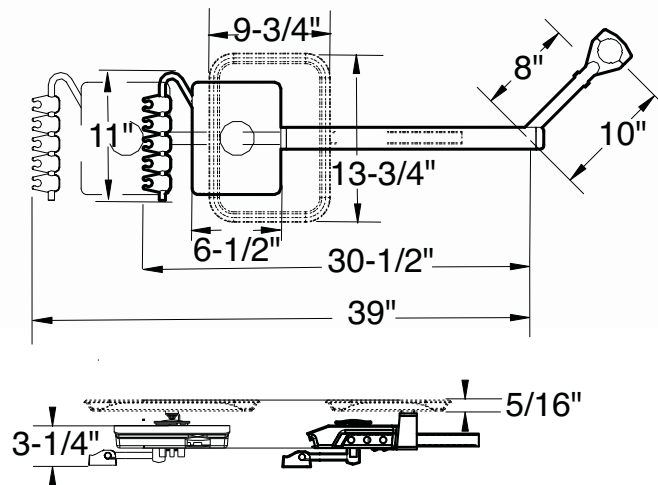
Post NOT included, if needed, length must be specified

Filter/Regulators must be ordered separately

## S-5325

2 HP Automatic 2" dia. Post Mount Hygiene System with Telescoping Arm, Pivoting Tray Mount Assembly (stainless steel tray sold separately), and Vacuum \$1,990.00

## Dimensions





## Features of hygiene systems

S-5325

2 handpiece automatic (1 wet, 1 dry)	■
3-way air/water syringe	■
Autoclavable HVE and saliva ejector valve with tubing	■
Vacuum canister with removable screen (131-053)	■
Pressure adjustment for each handpiece	■
Easy to read pressure gauge	■
Non-retracting water coolant, adjustment and purge	■
Asepsis handpiece tubing, sterling	■
Telescoping arm with breakaway feature	■
Standard disc foot control	■
7' umbilical tubing	■

Options	Part Number	Price	
Water coolant to both handpieces		\$40.00 Add	■
Unit mount post, 28" with bushing	146-202	\$130.00 Add	■
Unit/light post, 40" with bushing	146-203	\$172.00 Add	■
Additional umbilical tubing (per foot)	115-062	\$12.00 Add	■
Stainless steel tray (see page 94)	010-001	\$62.00 Add	■
Silcry™n tubing		\$25.00 Add	■

Utility Center Assembly  
144-018, page 106  
\$420.00



Water Bottle Kits, page 107  
110-004    110-028  
\$172.00    \$224.00



Handpiece Illumination System  
with Delay, 5 and 6 pin  
115-713, 115-703  
pages 113 and 114





Filter/Regulators must be ordered separately

### A-220

2 HP Automatic Control  
\$720.00

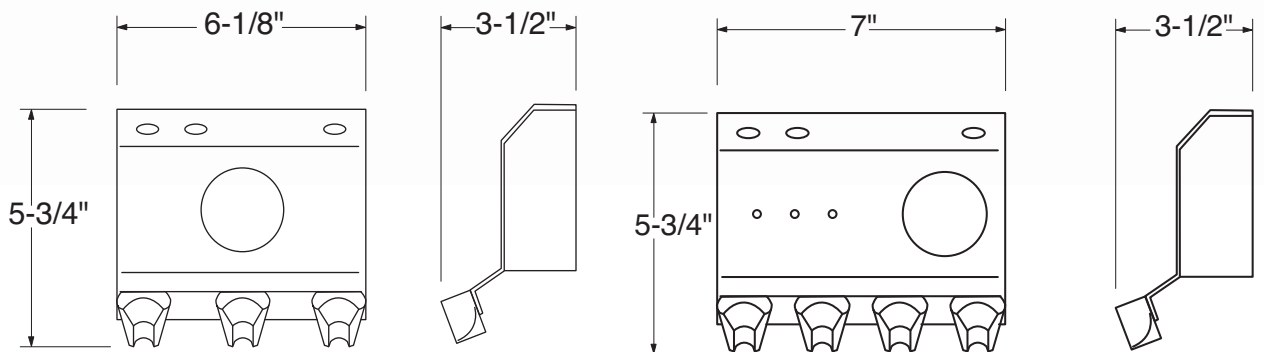
### A-400

3 HP Automatic Control  
\$1,060.00

### A-222

2 HP Automatic Control, Both HP's Wet  
\$770.00

### Dimensions



## Features of wall mounted handpiece controls A-220 A-222 A-400

2 Handpiece automatic	■	■	
3 Handpiece automatic			■
3-way air/water syringe	■	■	■
Master ON/OFF toggle			■
Pressure adjustment for each handpiece	■	■	■
Non-retracting water coolant adjustment for 2 handpieces		■	
Non-retracting water coolant adjustment for 1 handpiece (1 wet, 1 dry)	■		
Easy to read pressure gauge	■	■	■
Asepsis handpiece tubing, sterling	■	■	■
Standard disc foot control	■	■	■
7' umbilical tubing			■
7' supply line	■	■	

Options	Part Number	Price			
Additional umbilical tubing (per foot)	115-505	\$12.00 Add			■
Additional air supply tubing (per foot)	115-716	\$2.00 Add	■	■	
Silcryn™ tubing		\$15.00 Add	■	■	
Silcryn™ tubing		\$20.00 Add			■

1/2" Pivot Mount  
103-065, page 92  
\$36.00



Utility Center Assembly  
144-018, page 106  
\$420.00



Handpiece Illumination System  
with Delay, 5 and 6 pin  
115-713, 115-703  
pages 113 and 114



Horizontal Surface Mount Bracket  
105-063, page 93  
\$21.00





Filter/Regulators must be ordered separately

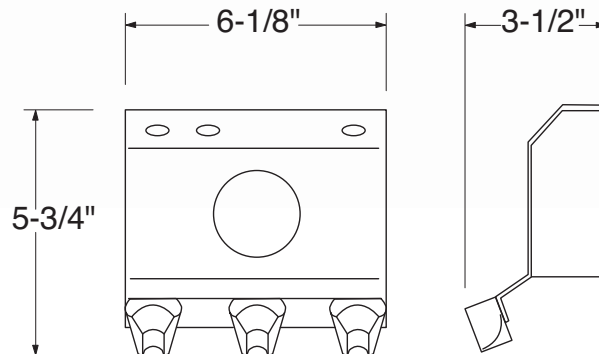
### A-200

2 HP Manual Control  
\$635.00

### A-202

2 HP Manual Control, Both HP's Wet  
\$675.00

### Dimensions



## Features of wall mounted handpiece controls

	A-200	A-202
2 handpiece manual	■	■
3-way air/water syringe	■	■
Pressure adjustment for each handpiece	■	■
Non-retracting water coolant adjustment for 1 handpiece (1 wet, 1 dry)	■	
Non-retracting water coolant adjustment for 2 handpieces		■
Easy to read pressure gauge	■	■
Asepsis handpiece tubing, sterling	■	■
Standard disc foot control	■	■
7' of 1/4" supply line	■	■

## Options

Options	Part Number	Price	A-200	A-202
Additional air supply tubing (per foot)	115-716	\$2.00 Add	■	■
Silcryn™ tubing		\$15.00 Add	■	■

1/2" Pivot Mount  
103-065, page 92  
\$36.00



Utility Center Assembly  
144-018, page 106  
\$420.00



Handpiece Illumination System  
with Delay, 5 and 6 pin  
115-713, 115-703  
pages 113 and 114



Horizontal Surface Mount Bracket  
105-063, page 93  
\$21.00





Filter/Regulators must be ordered separately

**A-100**

1 HP Control  
\$530.00

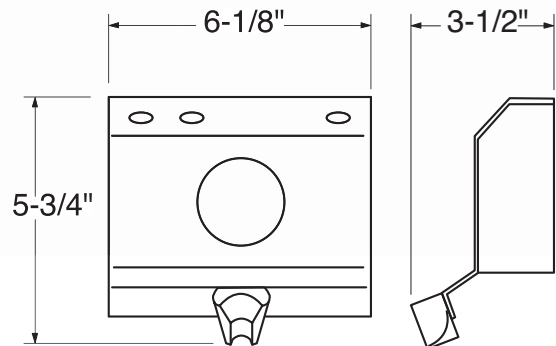
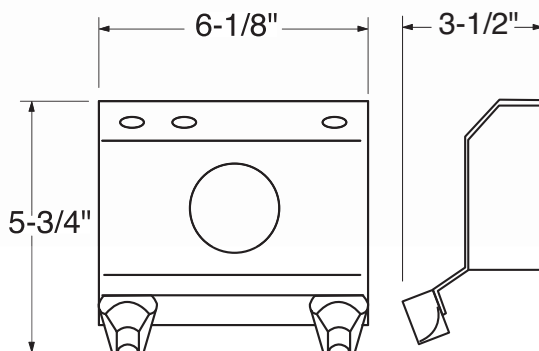
**A-050**

Lab HP Control Kit  
\$330.00

**A-101**

Lab HP Control  
\$350.00

**Dimensions**



## Features of wall mounted handpiece controls A-100 A-101 A-050

One handpiece control with coolant	■		
One handpiece control without coolant		■	■
3-way air/water syringe	■		
Pressure adjustment for each handpiece	■	■	■
Water coolant ON/OFF and flow control	■		
Easy to read pressure gauge	■	■	■
Asepsis handpiece tubing, sterling	■	■	■
Standard disc foot control	■	■	■
7' umbilical tubing	■		
7' of 1/4" supply line		■	■

Options	Part Number	Price			
Silcryn™ tubing		\$10.00 Add	■		
Silcryn™ tubing		\$5.00 Add		■	■

1/2" dia. Pivot Mount  
103-065, page 92  
\$36.00



Horizontal Surface Mount Bracket  
105-063, page 93  
\$21.00



Utility Center Assembly  
144-018, page 106  
\$420.00





Filter/Regulators must be ordered separately

### PM-200

2 HP Manual Control  
\$780.00

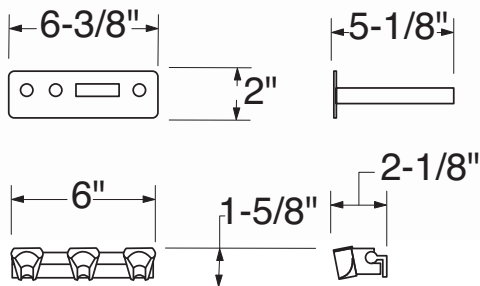
### PM-400

3 HP Automatic Control  
\$1,200.00

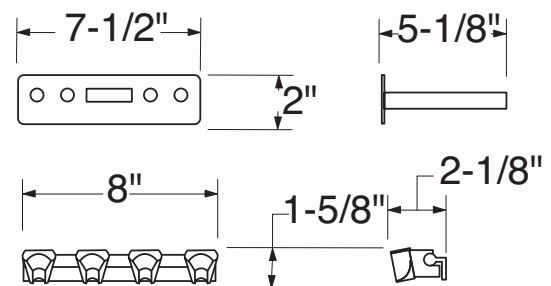
### PM-220 (not shown)

2 HP Automatic Control  
\$890.00

### Dimensions



Cut out Dimensions: 5-1/2" x 1-3/4"



Cut out Dimensions: 6-5/8" x 1-3/4"



## Features of PM handpiece controls

PM-200 PM-220 PM-400

	PM-200	PM-220	PM-400
3 handpiece automatic			■
2 handpiece automatic		■	
2 handpiece manual	■		
3-way air/water syringe	■	■	■
Master ON/OFF toggle with indicator			■
Pressure adjustment for each handpiece	■	■	■
Non-retracting water coolant, adjustment & purge		■	
Easy to read pressure gauge	■	■	■
Asepsis handpiece tubing, sterling	■	■	■
Standard disc foot control	■	■	■
7' of 1/4" supply line	■		
7' umbilical tubing		■	■

## Options

### Part Number

### Price

	Part Number	Price	PM-200	PM-220	PM-400
Water coolant to both handpieces		\$50.00 Add	■	■	
Additional supply line (per foot)	115-716	\$2.00 Add	■		
Additional umbilical tubing (per foot)	115-505S	\$12.00 Add		■	■
Silcryn™ tubing		\$15.00 Add	■	■	
Silcryn™ tubing		\$20.00 Add			■

Master Valve Assembly with  
Filter & Regulator, page 106  
144-027  
\$300.00



Water Bottle Kits, page 107  
110-032  
\$162.00



Handpiece Illumination System  
with Delay, 5 and 6 pin  
115-713, 115-703  
pages 113 and 114





Filter/Regulators must be ordered separately

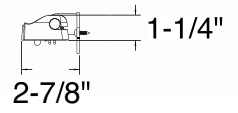
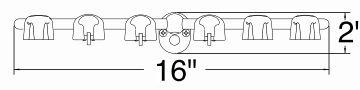
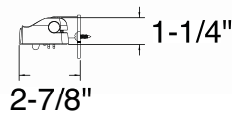
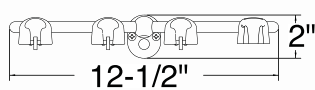
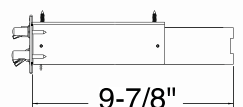
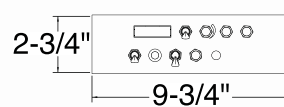
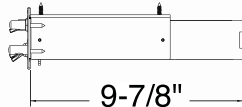
### PM-4500

3 Handpiece Automatic Control  
\$1,600.00

### PM-4550

3 Handpiece Automatic Control with Vacuum  
\$1,800.00

### Dimensions



Cut out Dimensions: 8-3/4" x 2-1/8"

Cut out Dimensions: 8-3/4" x 2-1/8"

## Features of PM handpiece controls

PM-4500 PM-4550

3 handpiece automatic	■	■
3-way air/water syringe	■	■
Master ON/OFF toggle with indicator	■	■
Pressure adjustment for each handpiece	■	■
Slide out service access	■	■
Vacuum canister with removable screen (131-052)	■	
Non-retracting water coolant, adjustment & purge	■	■
Easy to read pressure gauge	■	■
Asepsis handpiece tubing, sterling	■	■
Standard disc foot control	■	■
7' umbilical tubing	■	■

## Options

## Part Number

## Price

Additional umbilical tubing (per foot)	115-505S	\$12.00 Add	■	■
Silcryn™ tubing		\$20.00 Add	■	
Silcryn™ tubing		\$30.00 Add		■

### Hepa Filter

119-027

\$45.00

page 98



### Handpiece Illumination System

with Delay, 5 and 6 pin

115-713, 115-703

pages 113 and 114



### Additional HVE Valve with

Tubing and Holder

030-014

\$84.00 (SO-3354)



### Vacuum Canister Mounting Bracket

131-034, page 98

\$26.00



### Water Bottle Kits, page 107

110-032

\$162.00



### Master Valve Assembly with

Filter & Regulator, page 106

144-027

\$300.00



### Foot Controls, page 109

126-133 Chip Blower in lieu of standard disc type ..... \$120.00 Add

126-260 Wet/Dry in lieu of standard disc type ..... \$100.00 Add

126-203 Wet/Dry Chip Blower in lieu of standard disc type ..... \$160.00 Add



PM-4501



PM-4551

Filter/Regulators must be ordered separately

PM-4501

3 Handpiece Automatic Control  
\$1,580.00

PM-4551

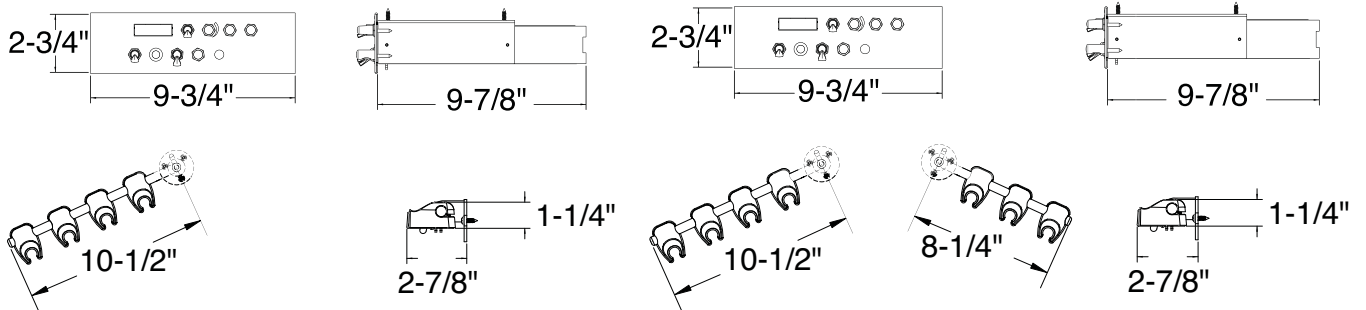
3 Handpiece Automatic Control with Vacuum  
\$1,790.00



Mounting Options



Dimensions



Cut out Dimensions: 8-3/4" x 2-1/8"

Cut out Dimensions: 8-3/4" x 2-1/8"

## Features of PM handpiece controls

PM-4501 PM-4551

Automatic selection for 3 handpieces	■	■
Dual 3-way air/water syringe		■
3-way air/water syringe	■	
Master ON/OFF toggle with indicator	■	■
Pressure adjustment for each handpiece	■	■
Slide out service access	■	■
Vacuum canister with removable screen (131-052)	■	
Non-retracting water coolant adjustment, and purge	■	■
Easy to read pressure gauge	■	■
Asepsis handpiece tubing, sterling	■	■
Standard disc foot control	■	■
7' umbilical tubing	■	■

## Options

### Part Number

### Price

Delete handpiece station with tubing		\$50.00 Deduct	■	■
Additional umbilical tubing (per foot)	115-503	\$12.00 Add	■	■
Silcryn™ tubing		\$35.00 Add		■
Silcryn™ tubing		\$20.00 Add	■	

Handpiece Illumination System  
with Delay, 5 and 6 pin  
115-713, 115-703  
pages 113 and 114



Additional HVE Valve  
with Tubing and Holder  
030-014  
\$84.00 (PM-4551)



Cam Lock Holder Bar  
(In Lieu of standard holder bars)  
105-195  
Includes 105-190 and 105-191  
page 101  
\$190.00



Hepa Filter  
119-027  
\$45.00  
page 98



Vacuum Canister Mounting Bracket  
131-034, page 98  
\$26.00



Master Valve Assembly with  
Filter & Regulator, page 106  
144-027  
\$300.00



PROVIDES EXCHANGABLE  
L/R HOLDER BARS  
(PM-4551 ONLY)

Water Bottle Kits, page 107  
110-032  
\$162.00



Foot Controls, page 109

126-133	Chip Blower in lieu of standard disc type .....	\$120.00 Add
126-260	Wet/Dry in lieu of standard disc type .....	\$100.00 Add
126-203	Wet/Dry Chip Blower in lieu of standard disc type .....	\$160.00 Add



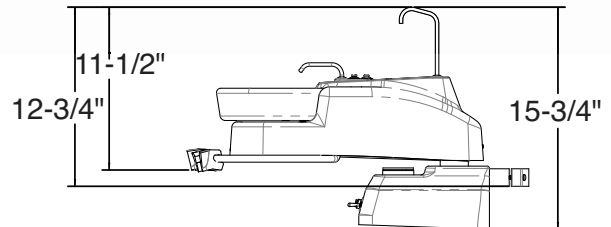
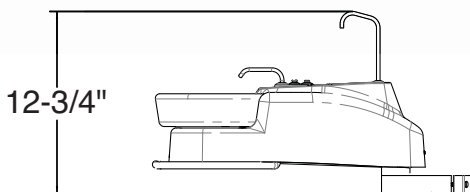
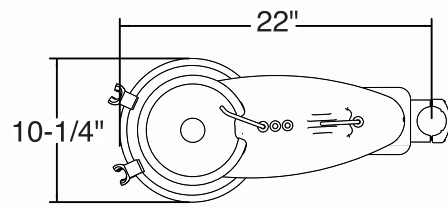
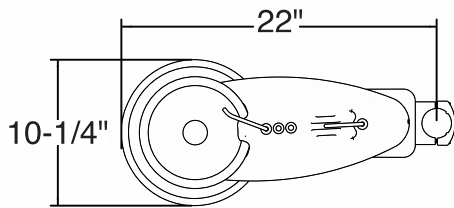
### C-4200

Asepsis Design Cuspidor  
\$1,055.00

### C-4250

Asepsis Design Cuspidor with Vacuum  
Accessory Group and Water QD  
\$1,590.00

### Dimensions



## Features of cuspidors

C-4200 C-4250

	C-4200	C-4250
Easy clean asepsis design	■	■
Ceramic bowl	■	■
Easily removable autoclavable cup filler and bowl rinse spout	■	■
Adjustable timed bowl rinse	■	■
Gravity drain with dual venting	■	■
Vacuum canister with removable screen (uses 131-052 screen)		■
Autoclavable HVE and saliva ejector valve with tubing		■
1/4" Female water quick disconnect		■
Low voltage electric vacuum switch		■
2" dia. post mount	■	■
6' umbilical tubing	■	■

## Options

### Part Number

### Price

Options	Part Number	Price	C-4200	C-4250
Additional umbilical (per foot)		\$12.00 Add		■
Additional umbilical (per foot)		\$10.00 Add	■	
Timed cup filler	132-121	\$200.00 Add	■	■
3-Way Syringe with Tubing and Holder (pg. 111)	113-514	\$135.00 Add	■	■
Silcryn™ tubing		\$10.00 Add		■

Utility Center Assembly

144-018, page 106

\$420.00



Additional HVE Valve with Tubing and

Holder (C-4250 only)

030-016

\$88.00



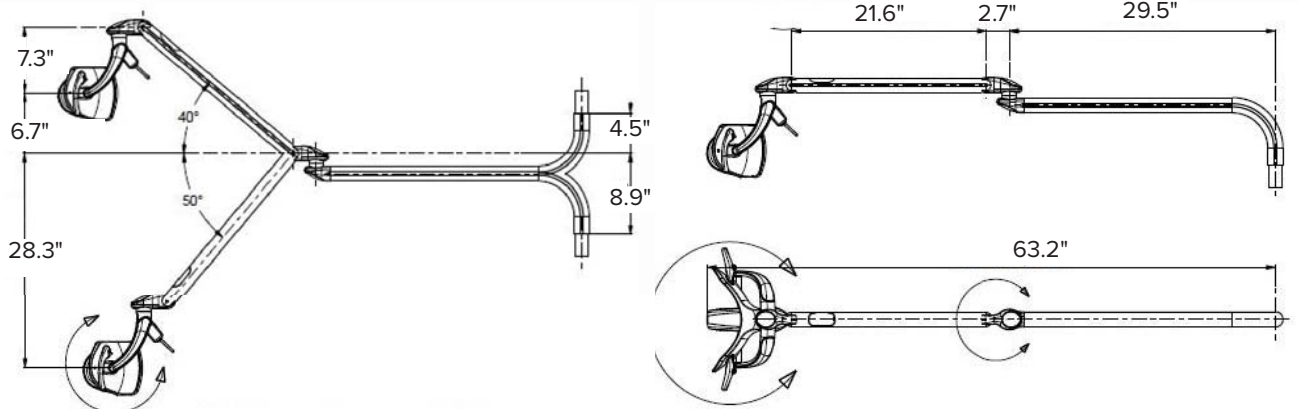


**NEW**

## FL-3000

Beaverstate Dental LED Operatory Light Post Mount 110 V  
\$2,300.00

### Dimensions





## Features of FL-3000

Post Mt.

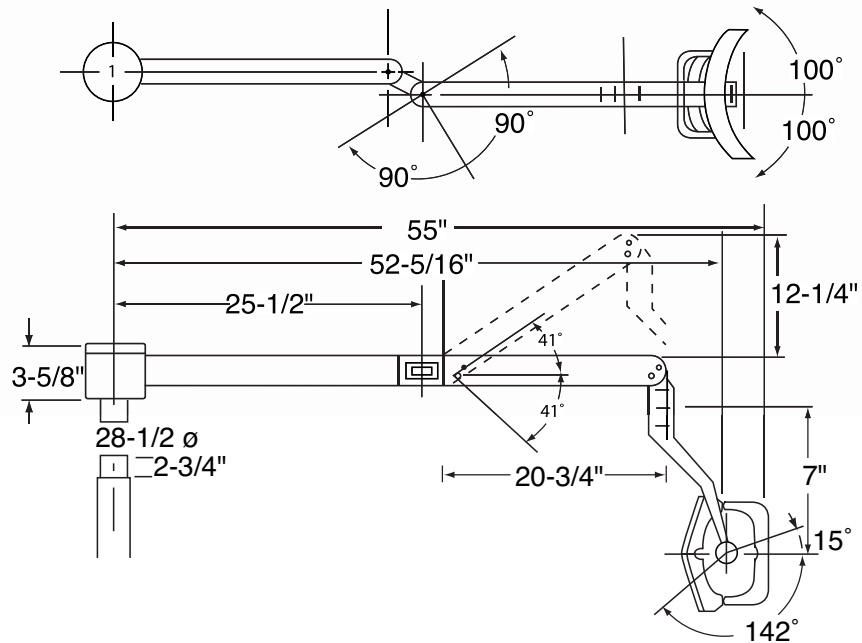
5000° Kelvin temperature	■
Toggle dimmer on/off switch with automatic intensity memorization	■
Adjustable 3,000 to 35,000 LUX	■
Removable autoclavable handles	■
320° rotation & 2 axis head rotation	■
Low energy consumption less then 12 watts of power	■



## CLX-110 & CLX-220

\$1,350.00

### Dimensions



## Features of post mount Celux light

	CLX-110	CLX-220
Lamp head may be adjusted vertically, horizontally or diagonally	■	■
Sharply defined rectangular light pattern	■	■
3800° to 4500° Kelvin temperature	■	■
Easy reach ON/OFF intensity switch	■	■
12V—55 Watt tungsten halogen H-3 bulb with twin filaments	■	■
Easy bulb replacement	■	■
Easily removable safety shield allows for cleaning	■	■
Requires Celux/Pelton light bushing (Part number 146-208 in Beaverstate Post)	■	■
Illuminated pattern at 28" is 3" x 7"	■	■
110 Volt	■	
220 Volt		■

1 Year Warranty on  
CLX-110 and CLX-220

Post NOT included, if needed, length must be specified



### A-5200

Telescoping Arm System with Vacuum Package  
1 HVE, 1 SE, 1 Syringe  
\$990.00

### A-5221 (not shown)

Telescoping Arm System with Vacuum Package  
1 HVE, 1 SE, no Syringe  
\$830.00

### A-5222 (not shown)

Telescoping Arm System with Vacuum Package  
2 HVE, 1 SE, no Syringe  
\$900.00

### A-5000

Horizontal Folding Arm, 24", 2" dia. Post Mount  
with Vacuum Package  
\$770.00

### A-5032 (not shown)

Horizontal Folding Arm, 32", 2" dia. Post Mount  
with Vacuum Package  
\$795.00

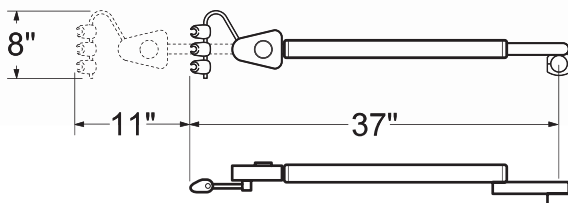
### A-5124 (not shown)

Horizontal Folding Arm, 24", Wall Mount  
with Vacuum Package  
\$750.00

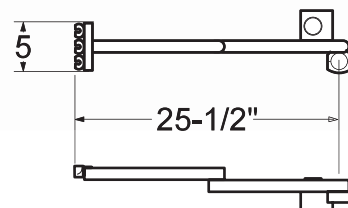
### A-5132 (not shown)

Horizontal Folding Arm, 32", Wall Mount  
with Vacuum Package  
\$780.00

## Dimensions



Cut out Dimensions: 5-1/2" x 1-3/4"



Cut out Dimensions: 6-5/8" x 1-3/4"

## Features of vacuum arm systems

A-5200 A-5221 A-5222

Telescoping arm with breakaway feature, 31" to 42" horizontal reach	■	■	■
Holder bar with 3 holders	■		■
3-way air/water syringe	■		
Flow adjustment for 3-way syringe	■		
Vacuum canister with removable screen (uses 131-053 screen)	■	■	■
Autoclavable HVE and saliva ejector valve with tubing	■	■	
2 Autoclavable HVE and saliva ejector valve with tubing			■
2" dia. post mount	■	■	■
10' umbilical tubing	■	■	■

### Options

### Part Number

### Price

Additional umbilical (per foot)		\$12.00 Add	■	■	■
Silcryn™ tubing		\$15.00 Add	■	■	■

Tray Mount Assembly  
for A-5200, A-5221  
and A-5222  
105-096  
\$180.00 Add



Wall Mount Bracket  
in lieu of post mount bracket  
105-018, page 93  
N/C



Additional HVE Valve  
with Tubing and Holder  
030-014  
\$84.00 (A-5200)



## Features for vacuum arm systems A-5000 A-5032 A-5124 A-5132

Folding arm, 24" reach		■		■	
Folding arm, 32" reach			■		■
Holder bar with 3 holders		■	■	■	■
3-way air/water syringe		■	■	■	■
Flow adjustment block 3-way syringe		■	■	■	■
Vacuum canister with removable screen (131-052)		■	■	■	■
1 Autoclavable HVE and saliva ejector valve with tubing		■	■	■	■
2" dia. post mount		■	■		
Wall mount bracket				■	■
5' umbilical tubing		■	■	■	■

### Options

### Part Number Price

1/4" air or water quick disconnect with flow control	030-015	\$40.00 Add	■	■	■	■
	030-012	\$65.00 Add	■	■	■	■
Additional umbilical (per foot)		\$9.00 Add	■	■	■	■
Silcryn™ tubing		\$15.00 Add	■	■	■	■

Additional HVE Valve  
with Tubing and Holder Bar  
4 position in lieu of 3 position  
030-018  
\$115.00



Post NOT included, if needed, length must be specified



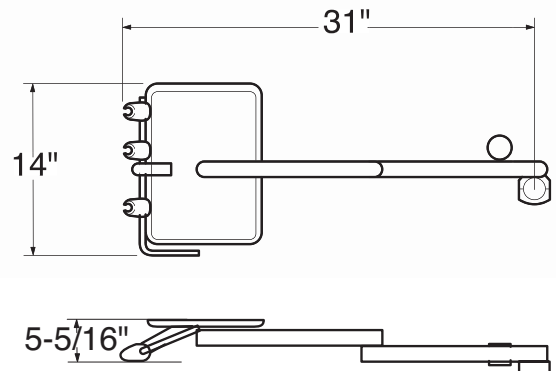
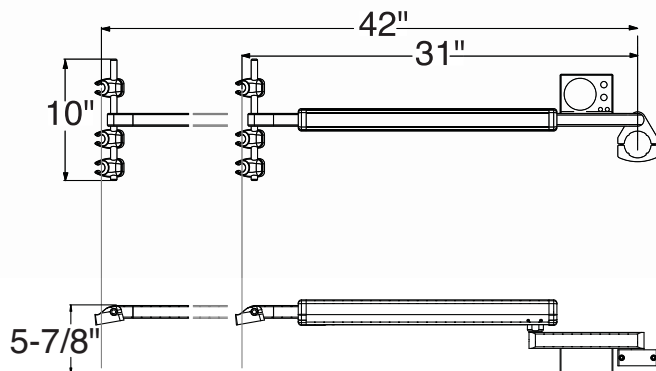
### A-5230

2" dia. Post Mount Hygiene System with Vacuum Telescoping Arm  
\$1060.00

### A-5524

1 HP Air Only, 2" dia. Post Mount Hygiene System with Folding Arm and Vacuum Package  
\$1040.00

### Dimensions



## Features of vacuum arm systems

A-5230 A-5524

1 (dry only) handpiece			■
Folding arm, 24" reach			■
Tray mount with holder bar and 3 holders			■
3-way syringe with quick change autoclavable tip	■		■
Flow adjustment for 3-way syringe block for 3 way syringe	■		■
1/4" Female Water quick disconnect	■		
Asepsis handpiece tubing, sterling			■
Plastic instrument tray, 9-3/4" x 13-1/2"			■
Vacuum canister with removable screen (131-052)	■		■
1 saliva ejector valve with tubing	■		■
Standard disc foot control			■
2" dia. post mount	■		■
5' umbilical tubing	■		
7' umbilical tubing			■

## Options

Part Number Price

	Part Number	Price		
Water quick disconnect with flow control	030-012	\$65.00 Add		■
Unit mount post, 28" with bushing	146-202	\$130.00 Add	■	■
Unit/light post, 40" with bushing	146-203	\$172.00 Add	■	■
Jacketed tubing (per foot)	115-052	\$10.00 Add		■
Silcryn™ tubing		\$15.00 Add	■	■

Water Bottle Kits, page 107

110-004    110-028  
\$172.00    \$224.00



Additional HVE Valve  
with Tubing and Holder

030-014  
\$84.00



### Autoclavable Vacuum Accessory Kit

Part No. 131-027 .....\$325.00

- Vacuum canister with removable screen  
(uses 131-052 screen)
- 3 position vertical surface mount 6" holder bar and universal holders
- Mounting hardware
- 2 autoclavable universal HVE lever valves
- 1 autoclavable saliva ejector lever valve
- 6' asepsis tubing
- 7' drain tubing



### Vacuum Accessory Kit

Part No. 131-045.....\$545.00

- Vacuum canister enclosure with removable screen  
(uses 131-052 screen)
- Mounting hardware
- 3 position vertical surface mount 6" holder bar and universal holders
- 1 autoclavable universal HVE lever valve
- 1 autoclavable saliva ejector lever valve
- 3-way syringe with quick change autoclavable tip
- Flow adjustment for syringe
- 6' asepsis tubing
- 5' umbilical tubing

#### OPTIONS

- 030-017 Additional HVE valve with tubing..\$88.00
- 030-012 Water QD with flow control .....\$65.00
- Additional umbilical tubing (per foot).....\$12.00
- 030-010 Water QD.....\$34.00



### Deluxe Vacuum Accessory Kit

Part No. 131-026.....\$325.00

- Vacuum canister with removable screen  
(uses 131-052 screen)
- 3 position vertical surface mount 6" holder bar and universal holders
- Mounting hardware
- 2 universal HVE lever valves
- 1 saliva ejector lever valve
- 6' asepsis tubing
- 7' drain tubing





## Cabinet Mount Vacuum Accessory Kit

Part No. 105-175 (specify right or left configuration shown as left side mount).....\$510.00

- Vacuum canister with removable screen  
**(uses 131-052 screen)**
- 3 position cabinet mount holder bar and universal holders
- Mounting hardware
- Bar can mount to a vertical or horizontal surface
- 1 autoclavable universal HVE lever valve
- 1 autoclavable saliva ejector lever valve
- 3-way syringe with quick change autoclavable tip
- 6' asepsis tubing
- 7' drain tubing

### OPTIONS

- 030-014 Additional HVE valve with holder ..... \$84.00
- Includes tubing



## Cabinet Mount Vacuum Accessory Kit

Part No. 105-180 ..... \$590.00

- Vacuum canister with removable screen  
**(uses 131-052 screen)**
- 3 position cabinet mount bent holder bar and universal holders
- Mounting hardware
- Bar can mount to a vertical or horizontal surface
- 1 autoclavable universal HVE lever valve
- 1 autoclavable saliva ejector lever valve
- 3-way syringe with quick change autoclavable tip
- 6' asepsis tubing
- 7' drain tubing

### OPTIONS

- 030-014 Additional HVE valve with holder ..... \$84.00
- Includes tubing



### Asepsis 2" dia. Post Mount Flex Arm System w/ Pneumatic Brake

- Part No. 106-300, 2" dia. post mount.....\$980.00
- Includes control mounting bracket
  - Weight adjustments from 3 to 15 lbs.



### Asepsis Top Post Mount Flex Arm System w/ Pneumatic Brake

- Part No. 106-306, top post mount..... \$980.00
- Includes control mounting bracket
  - Weight adjustments from 3 to 15 lbs



### Asepsis 2" dia. Mount Flex Arm System w/ Pneumatic Brake

- Part No. 106-309 .....\$980.00
- Optional 2" wall mount, 106-205, (page 93).....\$140.00
  - Short rigid ideal for side delivery
  - Includes control mounting bracket
  - Weight adjustments from 3 to 15 lbs.



### Manual 2" dia. Post Mount Flex Arm System w/ Friction Brake and Tray

- Part No. 106-223, 63" reach, 27" vertical travel with light spring, 2 to 7 lbs. .... \$990.00
- Part No. 106-225, top post mount vertical travel with light spring, 2 to 7 lbs ..... \$990.00
- Measures 15" deep x 13-1/2" wide
  - Holds 9-3/4" x 13-1/2" tray
  - Uses optional 010-001 stainless steel tray, (page 94)



### Control Mount Arm

- Part No. 106-203.....\$115.00
- For use with Beaverstate 106-216 manual flex arm system



### 2" dia. Telescoping Post Mount Accessory Arm

- Part No. 105-186, 2" dia. post mount.....\$520.00
- Breakaway feature
  - 31" to 42" horizontal reach
  - Post not included



## Horizontal Folding Arm

- Part No. 105-026, 24" wall mount .....\$250.00
- Part No. 105-027, 24" post mount .....\$250.00
- Part No. 105-028, 32" wall mount .....\$260.00
- Part No. 105-029, 32" post mount .....\$260.00
- 3 position holder bar with 3 handpiece holders
- 2" dia. post mount or wall mount
- 24" or 32" horizontal reach



## Folding Arm Section Only

- Part No. 105-040, 6" section.....\$56.00
- Part No. 105-039, 8" section.....\$58.00
- Part No. 105-042, 12" section .....\$60.00
- Part No. 105-043, 16" section .....\$64.00
- 1/2" dia. pin mounts to a 2" dia. post mount clamp or wall mount
- 1/2" I.D. female end with bronze bushing



## Holder Bar with Holders

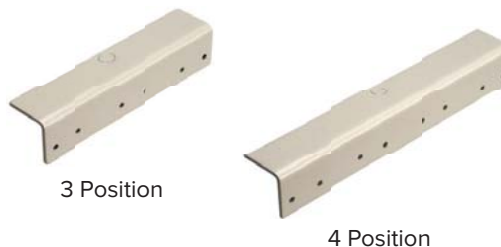
- Part No. 105-017, 3 position.....\$70.00
- 1 HVE holder
- 1 saliva ejector holder
- 1 syringe holder
- 1/2" dia. pin mounts to horizontal folding arm

- Part No. 105-034, 4 position.....\$76.00
- 2 HVE holders
- 1 saliva ejector holder
- 1 syringe holder
- 1/2" dia. pin mounts to horizontal folding arm



## Holder Bar with 1/2" dia. Pin

- Part No. 105-008, 3 position.....\$34.00
- Part No. 105-009, 4 position.....\$36.00
- Mounting holes for holders 141-006 and 141-038
- 1/2" dia. pin mounts to horizontal folding arm



## 1/2" dia. Pivot Mount

- Part No. 103-065.....\$36.00
- Used to mount A-200 and A-400 series units to horizontal folding arms
- 2" aluminum mount with 1/2" dia. pin
- Includes mounting screws



## Washer for Pin with 1/2" dia.

- Part No. 003-006 .....\$0.70
- Used with horizontal folding arms



## Bracket for 1/2" dia. Pin Mount

- Part No. 105-060 .....\$42.00
- 1/2" Pin protrudes from bottom of mount
- Used with horizontal folding arms
- Includes mounting screws



### Wall Mount for 1/2" dia. Pin

- Part No. 105-018.....\$62.00
- Used to mount horizontal folding arms to vertical surfaces
  - Includes mounting screws
  - 4" x 4"



### Horizontal Surface Mount Bracket

- Part No. 105-063.....\$21.00
- Used to mount A-200 and A-400 series handpiece controls and other horizontal surfaces
  - Includes mounting screws



### Countertop Mount for 1/2" dia. Pin

- Part No. 105-016.....\$52.00
- Used to mount horizontal folding arms to horizontal surfaces
  - Includes mounting screws



### 2" dia. Post Mount Clamp

- Part No. 105-051, single .....\$62.00  
 Part No. 105-092, dual .....\$84.00
- Mounts horizontal folding arms with 1/2" dia. pin to 2" dia. post



105-051



105-092

### Wall Mount for 2" dia. Post Mounted Arms

- Part No. 106-205.....\$140.00
- Includes mounting screws



### 1-3/4" dia. Post Clamp for 1/2" Pin

- Part No. 105-126, single .....\$72.00  
 Part No. 105-127, dual .....\$84.00
- Mounts to 1-3/4" dia. upright on H-type frame



105-126



105-127

### Rear Delivery Mounts

- Part No. 105-130, single .....\$160.00  
 Part No. 105-120, dual .....\$200.00
- Used with rear delivery units
  - Mounts to existing cabinetry
  - Includes mounting screws



105-130



105-120

## Utility Shelf Assembly

- Part No. 105-068, wall mount..... \$180.00  
 Part No. 105-078, 2" dia. post mount..... \$180.00  
 ■ 12" x 12" shelf  
 ■ Pivoting arm



## Tray Mount w/Holder Bar

- Part No. 105-065.....\$170.00  
 ■ For use with horizontal arm with 1/2" dia. pin mount  
 ■ Holds 9-3/4" x 13-1/2" tray



## Tray Assembly

- Part No. 105-062.....\$85.00  
 ■ For use with horizontal arm with 1/2" dia. pin mount  
 ■ Holds 9-3/4" x 13-1/2" tray



105-062

## Cabinet/Cart Tray & Tray Holder Assembly

- Part No. 105-053.....\$345.00  
 ■ Mounts above or below cabinet or cart surface  
 ■ Stainless steel tray, 9-3/4" x 13-1/2"  
 ■ 12" pivoting arm  
 ■ Mounting arm with screws  
 ■ 9-3/4" x 13-1/2" tray holder



## Instrument Tray

- Part No. 010-001, stainless steel..... \$62.00  
 Part No. 010-051, plastic..... \$32.00  
 ■ 9-3/4" x 13-1/2"  
 Part No. 010-002, stainless steel..... \$52.00  
 ■ 10" x 6-1/2"



010-001



010-051

## Pivot Riser Mounting Kit

- Part No. 105-093..... \$95.00  
 ■ Mounts above or below cabinet or cart surface and receives 1/2" dia. pin arm for special configuration of arms and trays  
 ■ Includes (4) 1/4" x 1" mounting screws



## Non-slip Pad

- Part No. 010-060, 11-3/4" x 6-1/4"..... \$5.00  
 Part No. 010-061, 9" x 5-1/2"..... \$4.00  
 ■ Use on top of unit control head or work surface to prevent tray from sliding  
 ■ Rubber non-skid material



### Autoclavable HVE Lever Valve

- Part No. 112-262, standard .....\$42.00  
 Part No. 112-263, universal.....\$57.00
- Autoclavable (325°F)
  - Anodized aluminum body
  - Lever ON/OFF flow control
  - Accepts standard 1/2" vacuum tubing
  - Easily disassembled for thorough cleaning
  - 360° swivel



112-262  
Standard HVE Valve



112-263  
Universal HVE Valve

### Standard HVE Lever Valve

- Part No. 112-192, white .....\$32.00
- Lever ON/OFF flow control
  - Accepts standard 1/2" vacuum tubing
  - Easily disassembled for thorough cleaning
  - 360° swivel



### Universal HVE Lever Valve

- Part No. 112-193, white.....\$57.00
- Lever ON/OFF flow control
  - Accepts standard 1/2" vacuum tubing
  - Easily disassembled for thorough cleaning
  - 360° swivel



### Autoclavable Saliva Ejector Lever Valve

- Part No. 112-280..... \$34.00
- Body and lever are autoclavable (325°F)
  - Anodized aluminum body
  - Lever ON/OFF flow control
  - Accepts standard 7/32" I.D. vacuum tubing
  - Snap-on gray rubber tip
  - 360° swivel



### Saliva Ejector Lever Valve

- Part No. 112-190, white..... \$32.00
- Lever ON/OFF flow control
  - Snap-on gray rubber tip
  - 360° swivel
  - Accepts standard 7/32" I.D. vacuum tubing



### Saliva Ejector Adapter

Part No. 112-059 .....\$6.00  
 ■ Adapts saliva ejector tubing to HVE valve



### Replacement Lever

Part No. 112-169, HVE valve .....\$7.00  
 Part No. 112-181, saliva ejector valve.....\$4.50  
 ■ Autoclavable (325°F)



112-169  
HVE Valve



112-181  
S/E Valve

### Saliva Ejector Rubber Tip

Part No. 112-174, gray.....\$3.00  
 Part No. 112-175, gray (autoclavable).....\$5.00  
 ■ Snaps onto saliva ejector valve  
 ■ Soft and pliable



### Autoclavable O-rings

Part No. 017-410, saliva ejector valve, pkg. of 10 .....\$4.50  
 Part No. 017-413, HVE valve, pkg. of 10 .....\$6.00  
 ■ Autoclavable (325°F) Viton (R) material  
 ■ Identified by brown color



For HVE Valve



For Saliva Ejector Valve

### QD Swivel Base

Part No. 112-170, HVE valve .....\$7.00  
 Part No. 112-177, saliva ejector valve.....\$6.00



HVE Valve  
112-170



Saliva Ejector Valve  
112-177

### Vacuum Canister Mounting Brackets

Part No. 131-038, vertical .....\$3.00  
 Part No. 131-039, horizontal .....\$3.00



131-038  
Vertical



131-039  
Horizontal

### Central Vacuum Canister Kit

- Part No. 131-030..... \$25.00
- 2 HVE valve drain ports with 1 plug
  - Saliva ejector drain port with plug
  - Covered removable screen
  - Hydrocolloid drain provision
  - Mounting hardware
- (Uses 131-052, 1-7/8" screen)**



### Central Vacuum Canister Kit with Bayonet Lid

- Part No. 131-035..... \$27.00
- Easy open bayonet type locking lid
  - 2 HVE valve drain ports with 1 plug
  - Saliva ejector drain port with plug
  - Covered removable screen
  - Hydrocolloid drain provision
  - Mounting hardware
- (Uses 131-052, 1-7/8" screen)**



### Central Vacuum Canister Kit with Bayonet Lid, Side Drain

- Part No. 131-036..... \$38.00
- Easy open bayonet type locking lid
  - 2 HVE valve drain ports with 1 plug
  - Saliva ejector drain port with plug
  - Covered removable screen
  - 1/2" side drain port
- (Uses 131-053, 2-1/8" screen)**



### Covered Vacuum Canister Screen

- Part No. 131-052..... \$1.00
- Part No. 131-054, pkg. of 10 ..... \$9.00
- Part No. 131-070, pkg. of 100 ..... \$82.00
- 1-7/8" molded plastic screen with lid
  - Used with 131-030 and 131-035 vacuum canister kits
  - Fits Beaverstate, Belmont, Biotec, Chayes, Den-Tal-Ez, Dentech, Pelton and Proma vacuum canisters



### Covered Vacuum Canister Screen

- Part No. 131-053..... \$1.00
- Part No. 131-055, pkg. of 10 ..... \$9.00
- Part No. 131-071, pkg. of 100 ..... \$82.00
- 2-1/8" molded plastic screen with lid
  - Used with 131-036 side drain vacuum canister kit
  - Fits Beaverstate, Adec, DCI and Biotec

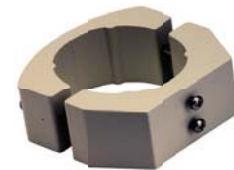


### Vacuum Canister Replacement Parts

- Part No. 017-030 O-ring..... \$1.50
- Part No. 131-030 LID, Standard Canister ..... \$6.00
- Part No. 131-035 LID, Bayonet Canister..... \$6.00
- Part No. 131-036 LID, Bayonet Side Drain Canister. \$7.00

### Vacuum Canister Post Mount Bracket

- Part No. 105-055 ..... \$65.00
- Includes bracket mounting screws



### Vacuum Canister Port Plug

- Part No. 010-009, HVE..... \$ .50
- Part No. 010-048, saliva ejector ..... \$ .30



010-009

010-048



## Vacuum Canister Mounting Bracket

Part No. 131-034..... \$26.00

- Mounts to bottom of cart work surface or any other horizontal surface
- Used for mounting vacuum canister
- Accommodates 1-1/4" spiral umbilical tubing



## Oral Dry Cup

Part No. 117-056..... \$15.00

- Molded plastic
- Fits 7/16" HVE valves



## Handpiece Exhaust HEPA Filter Kit

Part No. 119-027 complete unit install kit..... \$45.00

Part No. 119-028 replacement filter only..... \$18.00

- Easily installed in unit head
- Prevents residual oil from coating the dental units internal components
- Filters bacteria from handpiece exhaust



## ON/OFF Electric Switch

Part No. 016-020 ..... \$10.00

- May be used to activate vacuum remotely
- 15 Amp 125 VAC



Part No. 016-014 switchplate.....\$1.20

## Air Operated Electric Switch

Part No. 016-031, normally open .....\$43.00

Part No. 016-032, normally closed.....\$43.00

- 15 Amp 125 VAC
- 8 psi pressure required to activate



## Air Operated Electric Switch

Part No. 016-023, normally open ..... \$40.00

- 15 Amp 125 VAC
- 10 psi pressure required to activate



### Automatic Handpiece Holder

- Part No. 122-200, normally closed ..... \$32.00
- Fits 1/2" dia. holder bar
  - Provides positive air signal to auto-block when handpiece is IN the holder



- Part No. 141-200, syringe..... \$16.00
- Fits 1/2" dia. holder bar
  - Holds handpiece, saliva ejector valve or syringe
  - Holds universal HVE valve



### Automatic Handpiece Holder

- Part No. 122-100, normally closed..... \$32.00
- Fits 1/2" dia. holder bar
  - Provides positive air signal to auto-block when handpiece is IN the holder



- Part No. 141-100, syringe..... \$16.00
- Fits 1/2" dia. holder bar
  - Holds handpiece, saliva ejector valve or syringe
  - Holds universal HVE valve



### Automatic Handpiece Holder

- Part No. 122-055, normally closed .....\$44.00
- Fits 1/2" dia. holder bar

**Normally Closed = Provides positive air signal to auto-block when handpiece is IN the holder**



### Automatic Accessory Holder

- Part No. 122-056, normally open ..... \$44.00
- Fits 1/2" dia. holder bar

**Normally Open = Provides positive air signal when handpiece is OUT of the holder**



### Electric Automatic Handpiece Holder

- Part No. 122-060, normally open .....\$64.00  
 Part No. 122-061, normally closed.....\$64.00
- Fits 1/2" dia. holder bar

**Normally Open = No Current when HP out of Holder**  
**Normally Closed = Current when HP out of Holder**



### Universal Handpiece Holder

- Part No. 141-023..... \$22.00
- Fits 1/2" dia. holder bar
  - Holds handpiece, saliva ejector valve or syringe
  - Holds universal HVE valve



### Vacuum Handpiece Holder

- Part No. 141-037 .....\$25.00
- Fits 1/2" dia. holder bar
  - Holds HVE valve by base



## Automatic Handpiece Holder

Part No. 122-049.....\$32.00

- Normally closed  
Provides positive air signal to auto-block when handpiece is IN the holder
- Replacement holder for A-2150 and A-2500



## Plastic Holder

Part No. 141-006, handpiece holder ..... \$9.00

Part No. 141-038, vacuum holder..... \$9.00

- Fits and 105-009 holder bars
- 141-006 holds handpiece, saliva ejector valve, syringe and HVE valve with tip extension
- 141-038 holds HVE valve by the base
- 001-135 Screw #4 x 3/8"



## Curing Light Adapter Holder

Part No. 141-061.....\$38.00

- Fits any standard universal holder



## Automatic Holder Valve

Part No. 122-031, for handpiece ..... \$10.00

- Normally closed

Part No. 122-044, for accessories ..... \$10.00

- Normally open
- Used on Euro style unit head



## Standard Syringe Holder

Part No. 141-002.....\$10.00

- 10-32 mounting screw
- Hole accommodates 8-32 or 10-32 screw



## Vacuum Handpiece Holder

Part No. 141-005.....\$12.00

- For HVE valve held by the base
- 10-32 mounting screw
- Hole accommodates 8-32 or 10-32 screw



## Standard Handpiece Holder

Part No. 141-016.....\$10.00

- For high speed handpiece or saliva ejector valve
- 10-32 mounting screw
- Hole accommodates 8-32 or 10-32 screw



## Standard Holder Bar

Part No. 141-017, 1 position, 1-5/8" plastic.....\$6.00

- 10-32 threads



### Universal Holder Bar

Part No. 141-050, 2".....	\$17.00
Part No. 141-051, 4".....	\$19.00
Part No. 141-052, 6".....	\$21.00
Part No. 141-053, 8".....	\$23.00
Part No. 141-055, 10".....	\$25.00
Part No. 141-054, 14".....	\$27.00

- For automatic, universal and vacuum holders
- 1/2" dia. mounting bar



### Pivoting Bent Holder Bar

Part No. 105-181, 7", with 3 141-100 holders.....	\$170.00
Part No. 105-182, 7", bar and mount only.....	\$130.00
Part No. 105-183, 9", bar and mount only.....	\$145.00

- Mounts under cabinet or work surface
- 1/2" dia. mounting bar



105-181

### Pivoting Holder Bar

Part No. 105-170, 8-1/2", bar and mount only.....	\$80.00
Part No. 105-174, 8-1/2", with 3 141-100 holders.....	\$110.00
Part No. 105-177, 10-1/2", bar and mount only.....	\$100.00

- Mounts under cabinet or work surface
- 1/2" dia. mounting bar



105-174

### Automatic Control Block

Part No. 125-030, 2/3 position.....	\$160.00
Part No. 125-040, 4 position.....	\$200.00

- Precision milled from solid brass and electroplated to eliminate corrosion
- Individual handpiece pressure adjustments with 10-56 screws for fine adjustment
- 1" thick design for compact installation
- Use with automatic holders (see page 99)
- **LIFETIME WARRANTY, WHEN FACTORY INSTALLED**



125-030

### Automatic Control Diaphragms

Part No. 125-016, 3 position.....	\$4.50
Part No. 125-044, 4 position.....	\$5.50
Part No. 125-116, 3 position (Euro Block).....	\$6.50

- Nylon reinforced rubber



125-016

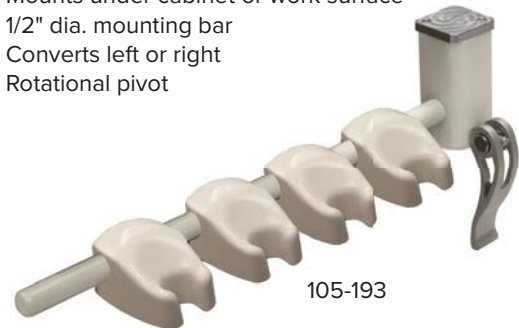


125-116

### Cam Lock Holder Bar

Part No. 105-190, 8-1/2", with (3) 122-100 holders and (1) 141-100 holder.....	\$275.00
Part No. 105-191, 8-1/2", with (3) 141-100 holders.....	\$225.00
Part No. 105-193, 8-1/2", with (4) 141-100 holders.....	\$240.00
Part No. 105-194, 8-1/2", without holders.....	\$185.00

- Mounts under cabinet or work surface
- 1/2" dia. mounting bar
- Converts left or right
- Rotational pivot



105-193

### ON/OFF Toggle Valve

- Part No. 120-000, 3-way with exhaust.....\$21.00  
 Part No. 120-015, 2-way without exhaust.....\$21.00
- Positive ON/OFF control
  - 10-32 ports
  - 15/32"-32 panel mount with nuts
  - Nickel plated brass



### Momentary Toggle Valve

- Part No. 120-005, 3-way with exhaust (air).....\$23.00  
 Part No. 120-018, 2-way without exhaust (water)\$23.00
- Positive ON/OFF control
  - 10-32 ports
  - 15/32"-32 panel mount with nuts
  - Nickel plated brass



### Routing Valve

- Part No. 014-016, for use with air or water.....\$35.00
- Routing control without exhaust
  - 10-32 ports (1 input, 2 output) or (2 input, 1 output)
  - 15/32"-32 panel mount with nuts
  - Nickel plated brass



### Routing Valve (Air Activated)

- Part No. 014-007.....\$39.00
- Routing control for air or water without exhaust
  - 10-32 ports (1 input, 2 output) or (2 input, 1 output)
  - Activated by air signal
  - Nickel plated brass



### Needle Flow Valve w/Knob

- Part No. 121-000 .....\$21.00  
 Part No. 121-002 Knob with stem.....\$9.00
- Flow adjustment for air or water
  - Positive ON/OFF control
  - 10-32 ports
  - 15/32"-32 panel mount with nuts
  - Nickel plated brass
  - Smooth knob



### Mini Regulator

- Part No. 128-017 .....\$42.00
- 0-125 psi operating range
  - Non-relieving (for air or water)
  - 10-32 ports
  - 15/32"-32 panel mount with nuts



### 40 psi Non-adjustable Regulator

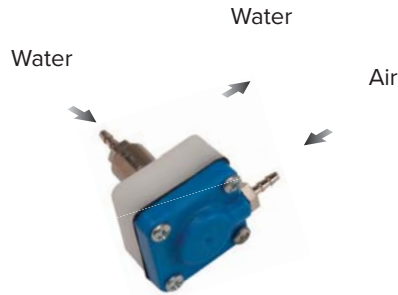
- Part No. 128-016.....\$31.00
- Supplies a maximum of 36 to 42 psi
  - Limits air pressure in water bottle systems
  - Tamper proof



### Water Relay Valve - Non Retracting

Part No. 123-000 ..... \$36.00

- Air-activated ON/OFF for handpiece water coolant
- Does not retract water
- 1/16" barb fittings
- The most reliable water relay valve made
- **TESTED OVER 10 MILLION CYCLES**



### Shuttle Valve

Part No. 014-012 ..... \$11.00

- For mounting two input flows to one output
- 1/16" barb fittings
- Nickel plated brass



### Mini Flow Restrictor

Part No. 113-242 ..... \$15.00

- Use with 1/8" or 1/4" O.D. tubing



### Pneumatic Indicator

Part No. 026-020 ..... \$26.00

- Green indicator
- Accommodates 15/32"-32 panel mount
- 10-32 port



### Manual Shut-off Valve

Part No. 020-022 ..... \$12.00

- For manual ON/OFF control of air or water at inlet .... source
- 1/2" MPT inlet
- 3/8" copper compression outlet
- Chrome finish



### 3-way Syringe

- Part No. 113-400.....\$92.00
- Smooth surfaces for easy cleaning
  - Soft touch O-ring cartridges
  - Quick change autoclavable tip
  - Variable air, water and spray control
  - Lightweight
  - Handle designed for smaller hands



### 3-way Euro Syringe

- Part No. 113-202.....\$115.00
- Smooth surfaces for easy cleaning
  - Soft touch O-ring cartridges
  - Quick change autoclavable tip
  - Variable air, water and spray control
  - Lightweight
  - Handle designed for smaller hands



### 3-way Syringe with Asepsis Tubing and holder 141-023

- Part No. 113-514, straight sterling.....\$135.00



### 3-way Syringe with Asepsis Tubing and holder 141-100

- Part No. 113-515, straight sterling .....\$125.00



### 3-way Syringe with Asepsis Tubing

- Part No. 113-513, straight sterling..... \$100.00  
 Part No. 113-510, coiled sterling ..... \$105.00  
 Part No. 113-508, straight gray ..... \$100.00  
 Part No. 113-505, coiled gray..... \$105.00

### Syringe Repair Kit

- Part No. 113-403..... \$28.00
- Improved for softer touch
  - Includes 2 cartridge buttons, 2 springs



### Autoclavable Syringe Tip

- Part No. 113-030..... \$6.00  
 Part No. 113-237, pkg. of 10 ..... \$55.00  
 Part No. 113-247, pkg. of 100..... \$500.00
- 6-port syringe tip (improved spray pattern)
  - Chrome plated brass
  - Fits Beaverstate Genera, Adec, DCI, Marus and other autoclavable tip applications



### Syringe O-Ring Kit

- Part No. 113-412..... \$5.00
- Includes all O-rings for 113-400 Syringe



### Autoclavable Quick-Disconnect Tip Kit

- Part No. 113-230..... \$17.00
- Retrofits to Genera, Adec, Marus and others
  - 1 tip cone provided
  - Includes autoclavable tip, adapter with O-rings, allen wrench and instructions



### Syringe Flow Adjustment Block

- Part No. 113-026..... \$26.00
- 1/16" barbs





### Standard Utility Center - 14" x 9" x 5-1/8"

- Part No. 144-018 complete utility center.....\$420.00  
 Part No. 144-015 utility center housing only.....\$120.00
- 2-127-010 Master valve assembly with filter and regulator
  - Fitting and hole plug kit
  - Installation template
  - Enameled metal housing
  - ABS Plastic cover
  - One 1-3/4", two 3/4" and one 2-1/2" holes



- Part No. 144-020.....\$270.00
- 1-127-010-Air ONLY Master valve assembly with filter and regulator
  - Fitting and hole plug kit
  - Installation template
  - Enameled metal housing
  - ABS Plastic cover
  - One 1-3/4", two 3/4" and one 2-1/2" holes

### Large Utility Center - 14" x 17" x 5-1/8"

- Part No. 144-046 complete utility center.....\$500.00  
 Part No. 144-047 utility center housing only .....\$220.00



### Contoured Utility Center

- Part No. 400-002 complete utility center.....\$450.00  
 Part No. 400-028 utility center housing only.....\$250.00



### Plug Kit for Utility Center

- Part No. 010-055 .....\$15.00

### Rebuild Kit for Master Valve

- Part No. 030-007.....\$29.00

### Standard Utility Center without Housing & Cover

- Part No. 144-027 .....\$300.00



### Master Valve Assembly w/Filter & Regulator

- Part No. 127-010-A (Air).....\$135.00  
 Part No. 127-010-W (Water) .....\$135.00
- Air operated master ON/OFF valve
  - Compact, integrated assembly for air and water
  - Non-relieving, piston type regulator
  - 35 and 100 micron filtration
  - 3/8" compression inlet (for use with 020-022 valve)



### Regulator Kit

- Part No. 127-011.....\$290.00
- Master air and water valves
  - Includes toggle valve 120-000, tubing and plastic tee



### Pressure Regulator Assembly Kit

- Part No. 025-001 .....\$120.00
- Non-relieving, piston type regulator
  - 0-150 psi
  - Three 1/8" outlets and one 1/8" inlet port
  - Pressure gauge
  - Mounting bracket



### Regulator Mounting Bracket Kit

- Part No. 128-010.....\$29.00



### Single Water Bottle Kit

- Part No. 110-004, 1 piece u-clamp .....\$172.00
- Part No. 110-028, 2 piece post clamp .....\$224.00
- Part No. 110-032, wall mount..... \$162.00
- 2" dia. post mount with aluminum bracket
- Pressure head with standard 28mm thread
- 40 psi tamper proof regulator
- On/Off toggle valve
- 2 pressure exhaust ports
- 1 liter heavy wall bottle
- 7' supply tubing

Height: 13"  
Width: 3-1/4"  
Depth: 4-1/2"



### Post Mount Water Bottle Kit

- Part No. 110-029 with QD .....\$318.00
- 2" dia. post mount with aluminum bracket
- Pressure head with standard 28mm thread
- 40 psi tamper proof regulator
- 2 pressure exhaust ports
- 1-1/2 liter heavy wall bottle
- 7' supply tubing
- 1/4" QD



Height: 15"  
Width: 5"  
Depth: 7-1/2"

### Post Mount Water Bottle Kit

- Part No. 110-062 .....\$340.00
- Part No. 110-066 with 1/4" female QD .....\$385.00
- Part No. 110-067 with 3/8" female QD ..... \$405.00
- Part No. 110-068 with 1/4" & 3/8" QD's..... \$425.00
- Accommodates 1/2" Pin mount vacuum arm
- 2" dia. post mount with aluminum bracket
- Pressure head with standard 28mm thread
- 40 psi tamper proof regulator
- 2 pressure exhaust ports
- 1-1/2 liter heavy wall bottle
- 7' supply tubing
- On / Off Toggle

Height: 14-1/2"  
Width: 3 to 4-1/2"  
Depth: 7-1/2"



### Under Counter Mount Water Bottle Kit

- Part No. 110-069 .....\$210.00
- Part No. 110-076 with QD .....\$250.00
- Under counter mount bracket
- Pressure head with standard 28mm thread
- 40 psi tamper proof regulator
- 2 pressure exhaust ports
- 1 liter heavy wall bottle



Height: 11-1/2"  
Width: 5"

Height: 11-1/2"  
Width: 5"

### Water Bottle QD Conversion Kit

Part No. 024-010 ..... \$74.00



### Water Bottle Cap

Part No. 110-030..... \$0.50



### Replacement Water Bottle

Part No. 110-041, 1 liter ..... \$14.00

Part No. 110-042, 1-1/2 liter ..... \$18.00

- Heavy wall construction for safe operating at 40 psi
- High density polyethylene (HDPE) is compatible with coolant liquids used in dentistry
- Can be used with most dental systems



Height: 12"  
Width: 3-1/2"



Height: 15"  
Width: 3-1/4"

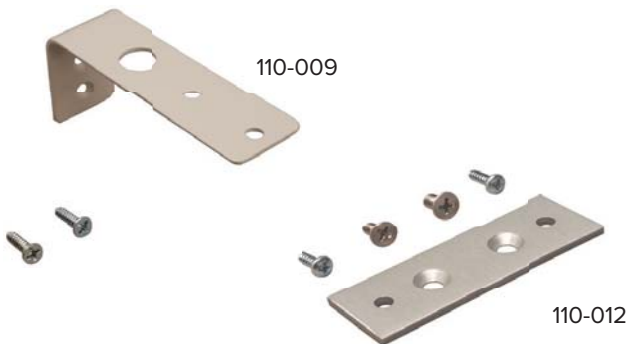
### Pressure Head Mounting Kit

Part No. 110-009 ..... \$20.00

- Vertical surface mount

Part No. 110-012..... \$20.00

- Horizontal surface mount



### Pressure Head

Part No. 110-007, with 10-32 tapped hole..... \$30.00

- 2 pressure exhaust ports
- Standard 28mm thread
- Includes gasket



### Pressure Head Gasket

Part No. 003-020 ..... \$3.00

- Polyurethane Material



### Standard Disc Type

- Part No. 126-200 Surf..... \$100.00
- Variable speed with light touch
  - 7' tubing
  - **Lifetime Warranty when factory installed**



### Chip Blower/Scaler Type

- Part No. 126-133..... \$220.00
- Variable speed with light touch
  - Toe touch chip blower valve
  - 7' tubing



### Wet/Dry Type

- Part No. 126-260 Surf..... \$200.00  
 Part No. 126-153 Sterling with chrome lid..... \$210.00
- Variable speed with light touch
  - Toggle valve for ON/OFF control of water coolant
  - 7' tubing



### Wet/Dry Chip Blower Type

- Part No. 126-203..... \$260.00
- Variable speed with light touch
  - Toggle valve for ON/OFF control of water coolant
  - Toe touch chip blower valve
  - 7' tubing



### Foot Control Replacement Toggle

- Part No. 126-164..... \$4.80

### Foot Control Repair Kit

- Part No. 126-225 Surf..... \$20.00
- For 126-000/126-200 standard foot controls
  - Includes ABS cover, stem, screws, poppet, springs and o-rings



### Foot Control Carrier

- Part No. 126-008..... \$85.00
- Mounts to cart base frame



## 4-Hole Asepsis Handpiece Tubing with Midwest Metal Connector

Part No. 114-729, straight sterling, 7'.....	\$32.00
Part No. 114-629, straight sterling, Silcryn™, 7'.....	\$37.00
Part No. 114-630, straight sterling, Silcryn™, 6'.....	\$37.00
Part No. 114-725, coiled sterling, 7'.....	\$42.00
Part No. 114-129, straight gray, 7'.....	\$32.00
Part No. 114-125, coiled gray, 7'.....	\$42.00
Part No. 114-229, straight surf, 7'.....	\$32.00

- Polyurethane material (except 114-629)
- Extruded with smooth outer wall
- Easy to clean



## Midwest Connector and Nut

Part No. 114-025, with plastic adapter .....	\$24.00
Part No. 114-026, with metal adapter .....	\$24.00



## 4-Hole Asepsis Handpiece Tubing Only

Part No. 115-709, straight sterling.....	\$1.70/ft.
Part No. 115-609, straight sterling Silcryn™.....	\$2.10/ft.
Part No. 115-758, coiled sterling, 7'.....	\$23.00
Part No. 115-109, straight gray.....	\$1.70/ft.
Part No. 115-158, coiled gray, 7'.....	\$23.00
Part No. 115-209, straight surf.....	\$1.70/ft.

- Polyurethane material (except 115-609)
- Extruded with smooth outer wall
- Easy to clean



## Borden Connector and Nut

Part No. 114-035, with plastic adapter.....	\$24.00
Part No. 114-036, with metal adapter .....	\$24.00



## 3-Hole Asepsis Handpiece Tubing with Borden Metal Connector

Part No. 114-739, straight sterling, 7'.....	\$33.00
Part No. 114-735, coiled sterling, 7'.....	\$41.00
Part No. 114-139, straight gray, 7'.....	\$33.00
Part No. 114-135, coiled gray, 7'.....	\$41.00

- Polyurethane material
- Extruded with smooth outer wall
- Easy to clean



*Surf colored tubing is available in certain configurations.*

*Ultra-Flexible Silcryn™ tubing (sterling only) is also available in 4 hole HP, S/E, syringe and HVE tubing.*

### 3-Hole Asepsis Handpiece Tubing

- Part No. 115-708, straight sterling .....\$1.50/ft.
- Part No. 115-719, coiled sterling, 7' ..... \$19.00
- Part No. 115-108, straight gray.....\$1.50/ft.
- Part No. 115-119, coiled gray, 7' .....\$19.00
- Polyurethane material
- Extruded with smooth outer wall
- Easy to clean



### 2-Hole Asepsis Syringe Tubing

- Part No. 115-764, straight sterling.....\$1.00/ft.
- Part No. 115-753, coiled sterling, 7' ..... \$14.00
- Part No. 115-064, straight gray.....\$1.00/ft.
- Part No. 115-053, coiled gray, 7' ..... \$14.00
- Part No. 115-264, straight surf .....\$1.00/ft.
- Polyurethane material
- Extruded with smooth outer wall
- Easy to clean



### 2-Hole Asepsis Syringe Tubing, Jacketed

- Part No. 115-664, straight sterling, Silcryn™ ..... \$3.00/ft.
- Ultra-flexible material



### 2-Hole Standard Syringe Tubing (Also Used as Pilot Air Tubing)

- Part No. 115-755, straight sterling..... \$1.00/ft.
- Part No. 115-055, straight gray..... \$1.00/ft.
- Part No. 115-255, straight surf ..... \$1.00/ft.
- Polyurethane material
- Easy to clean



### 4-Hole Asepsis Foot Control Tubing

- Part No. 115-726, sterling..... \$3.00/ft.
- Part No. 115-022, gray..... \$3.00/ft.
- Polyurethane material
- Extruded with smooth outer wall
- Easy to clean



### 4-Hole Standard Foot Control Tubing

- Part No. 115-729, sterling.....\$3.00/ft.
- Polyurethane material
- Extruded with smooth outer wall
- Easy to clean



### 3-Hole Standard Foot Control Tubing

- Part No. 115-732, sterling.....\$2.50/ft.
- Polyurethane material



### 2-Hole Standard Foot Control Tubing

- Part No. 115-716, sterling.....\$1.60/ft.
- Polyurethane material
- Part No. 115-720, sterling.....\$1.20/ft.
- PVC material
- Part No. 115-016, gray .....\$1.80/ft.
- Polyurethane material
- Part No. 115-020, gray .....\$1.20/ft.
- PVC material
- Part No. 115-220, surf .....\$1.20/ft.
- PVC material



## 1/8" Supply Tubing

Part No. 115-023, brown.....	\$.50/ft.
Part No. 115-024, yellow.....	\$.50/ft.
Part No. 115-025, clear.....	\$.50/ft.
Part No. 115-027, red.....	\$.50/ft.
Part No. 115-028, black.....	\$.50/ft.
Part No. 115-030, blue.....	\$.50/ft.
Part No. 115-057, light gray.....	\$.50/ft.

- Polyurethane material



## 3/8" Supply Tubing

Part No. 115-038, clear.....	\$1.80/ft.
------------------------------	------------



## 1/4" Supply Tubing

Part No. 115-759, sterling.....	\$.90/ft.
Part No. 115-050, clear.....	\$.90/ft.
Part No. 115-059, gray.....	\$.90/ft.
Part No. 115-065, blue.....	\$.90/ft.
Part No. 115-067, green.....	\$.90/ft.

- Polyurethane material



## Saliva Ejector Tubing, 7/32" I.D.

Part No. 115-734, sterling.....	\$.80/ft.
Part No. 115-634, sterling, Silcryn™.....	\$1.30/ft.
Part No. 115-034, gray.....	\$.80/ft.
Part No. 115-234, surf.....	\$.80/ft.

- Polyvinyl material (except 115-634)



## Cuspidor Drain Tubing, 5/8" I.D.

Part No. 115-747, 5/8" I.D. smooth sterling.....	\$4.00/ft.
--------------------------------------------------	------------

- PVC material



## Asepsis Flex Tubing

Part No. 115-739, 1/2" I.D., sterling.....	\$3.20/ft.
Part No. 115-039, 1/2" I.D., gray.....	\$3.20/ft.

- Polyurethane material
- Extruded with smooth outer wall
- Easy to clean



## HVE Asepsis Flex Hex I.D. Tubing

Part No. 115-717, 1/2" I.D., sterling.....	\$2.70/ft.
Part No. 115-617, 1/2" I.D., sterling, Silcryn™.....	\$4.50/ft.
Part No. 115-017, 1/2" I.D., gray.....	\$2.70/ft.
Part No. 115-217, 1/2" I.D., surf.....	\$2.70/ft.

- PVC material (except 115-617)
- Extruded with smooth outer wall
- Easy to clean



## Spiral Flex Tubing

Part No. 115-740, 1/2" I.D., sterling.....	\$2.70/ft.
Part No. 115-040, 1/2" I.D., gray.....	\$2.70/ft.
Part No. 115-741, 5/8" I.D., sterling.....	\$3.10/ft.
Part No. 115-041, 5/8" I.D., gray.....	\$3.10/ft.
Part No. 115-742, 3/4" I.D., sterling.....	\$3.30/ft.
Part No. 115-042, 3/4" I.D., gray.....	\$3.30/ft.
Part No. 115-744, 1" I.D., sterling.....	\$3.80/ft.
Part No. 115-745, 1-1/4" I.D., sterling.....	\$4.40/ft.
Part No. 115-045, 1-1/4" I.D., gray.....	\$4.40/ft.
Part No. 115-746, 1-1/2" I.D., sterling.....	\$5.00/ft.
Part No. 115-046, 1-1/2" I.D., gray.....	\$5.00/ft.
Part No. 115-748, 2" I.D., sterling.....	\$8.00/ft.
Part No. 115-048, 2" I.D., gray.....	\$8.00/ft.



## Custom Umbilical Tubing

Umbilical tubings to fit most custom installations may be ordered. The price is calculated by the cost per foot of tubing used and a nominal assembly charge. For price quote, call customer service with your specifications.

## ISO-B 5 Hole Handpiece Illumination System with Delay

- Part No. 115-713, straight sterling..... \$315.00
- Part No. 115-613, straight sterling, Silcryn™..... \$320.00
- Part No. 115-711, coiled sterling ..... \$325.00
- Part No. 115-113, straight gray ..... \$315.00
- Part No. 115-111, coiled gray..... \$325.00
- Part No. 115-213, straight surf ..... \$315.00
- Compact handpiece illumination system with delay
- Light source located in tubing
- 13 Second time delay
- Bulb and connections protected by stainless steel sleeve
- Krypton bulb
- Asepsis tubing
- Air-electric switch and fittings
- 120 VAC to 3.5 VAC transformer
- 7' in length



## Time Control/Delay Module

- Part No. 115-080 ..... \$100.00
- 13 second time delay
- Adhesive base for easy mounting
- Not for use with DC output tubings



## ISO-B Nut

- Part No. 114-016.....\$18.00



## ISO-B Sleeve

- Part No. 114-028..... \$31.00



*Note: One (1) time control/delay module (115-080) is required for each handpiece. One (1) transformer may be used for two handpieces*

## ISO-B 5 Hole Handpiece Illumination Kit with Delay

- Part No. 115-773, straight sterling..... \$265.00
- Part No. 115-673, straight sterling, Silcryn™..... \$270.00
- Part No. 115-771, coiled sterling..... \$270.00
- Part No. 115-173, straight gray ..... \$265.00
- Part No. 115-171, coiled gray ..... \$270.00
- Part No. 115-273, straight surf..... \$260.00
- Light source located in tubing
- 13 Second time delay
- Bulb and connections protected by stainless steel sleeve
- Krypton bulb
- Asepsis tubing
- Air-electric switch and replacement tubing
- 7' in length



## Iso-B 5 Hole Handpiece Illumination Tubing with Connector, Nut, Socket and Bulb

- Part No. 115-712, straight sterling.....\$170.00
- Part No. 115-612, straight sterling, Silcryn™ ..... \$175.00
- Part No. 115-714, coiled sterling ..... \$175.00
- Part No. 115-012, straight gray.....\$170.00
- Part No. 115-014, coiled gray..... \$175.00
- Part No. 115-212, straight surf .....\$170.00

## Iso-B 5 Hole Handpiece Illumination Tubing with Bulb Socket Only

- Part No. 115-763, straight sterling..... \$57.00
- Part No. 115-663, straight sterling, Silcryn™.....\$62.00
- Part No. 115-760, coiled sterling ..... \$82.00
- Part No. 115-063, straight gray..... \$57.00
- Part No. 115-060, coiled gray ..... \$82.00
- Part No. 115-263, straight surf ..... \$57.00

## Replacement Bulb (Krypton)

- Part No. 016-010 ..... \$42.00
- Part No. 016-010-5, pkg. of 5..... \$180.00
- 3.5 V AC



## Transformer

- Part No. 016-001, 110 VAC .....\$65.00
- Output 3.5VAC AC 750mA





### ISO-C 6 Pin HP Illumination System with Delay

- Part No. 115-703, straight sterling.....\$295.00
- Part No. 115-603, straight sterling, Silcryn™.....\$300.00
- Part No. 115-103, straight gray.....\$295.00
- Part No. 115-203, straight surf.....\$295.00
- ISO-C 6 Pin Connector
- Compact handpiece illumination system with delay
- 13 Second time delay
- Asepsis tubing
- Air-electric switch and fittings
- 120 VAC to 3.5 VAC transformer



### ISO-C 6 Pin HP Illumination Kit with Delay

- Part No. 115-783, straight sterling.....\$230.00
- Part No. 115-683, straight sterling, Silcryn™.....\$235.00
- Part No. 115-183, straight gray.....\$230.00
- Part No. 115-283, straight surf.....\$230.00
- ISO-C 6 Pin Connector
- 13 Second time delay
- Asepsis tubing
- Air-electric switch and handpiece tubing



### Time Control/Delay Module

- Part No. 115-080 ..... \$100.00
- 13 second time delay
- Low activation pressure
- Adhesive base for easy mounting
- Not for use with DC output tubings



### ISO-C Handpiece Illumination Tubing with 6 Pin Connector and Nut

- Part No. 115-792, straight sterling.....\$135.00
- Part No. 115-692, straight sterling, Silcryn™.....\$140.00
- Part No. 115-092, straight gray.....\$135.00
- Part No. 115-292, straight surf.....\$135.00
- ISO-C 6 Pin Connector
- 7' in length



### ISO-C Nut

- Part No. 114-006..... \$20.00



### Transformer

- Part No. 016-001, 110 VAC .....\$65.00
- Output 3.5VAC AC 750mA



110 VAC

*Note: One (1) time control/delay module (115-080) is required for each handpiece. One (1) transformer may be used for two handpieces*

### 10-32 Hex Plug

Part No. 030-003, pkg. of 10 .....\$6.00



### 1/4" and 8/32" Plastic Washer

Part No. 030-025, 1/4", pkg. of 10.....\$2.00

Part No. 030-026, 1/4", pkg. of 100.....\$8.00

■ Used with 10-32 fittings

Part No. 030-036, 8/32", pkg. of 10 .....\$2.50

■ Used under hex barb at base of syringe head



### Tubing Ferrule

Part No. 117-009, 1/8", pkg. of 10 .....\$1.70

Part No. 117-010, 1/4", pkg. of 10 .....\$1.80

Part No. 117-019, 1/8", pkg. of 100.....\$12.50

Part No. 117-012, 1/4", pkg. of 100.....\$13.50



### 1/16" Plastic Barb Tee

Part No. 022-056, pkg. of 10 .....\$14.00



### 1/8" Plastic Barb Tee

Part No. 022-055, pkg. of 10 .....\$15.00



### 1/8" x 1/16" x 1/8" Plastic Barb Tee

Part No. 022-061, pkg. of 10 .....\$15.00



### 10-32 Hex Barb

Part No. 030-001, 1/8" pkg. of 10 .....\$6.00

Part No. 030-002, 1/16" pkg. of 10 .....\$6.00



### 1/16" Barb Union

Part No. 022-013, pkg. of 10 .....\$10.00



### 8-32 x 1/16" Hex Barb

Part No. 030-004, pkg. of 10 .....\$6.00

■ Used at base of syringe head and top plate of automatic control block



### 1/8" Barb Union

Part No. 022-014, pkg. of 10 .....\$13.00



### 1/16" x 1/8" Barb Union

Part No. 022-025, pkg. of 10 .....\$11.00



### 10-32 4-Way Cross

Part No. 023-008 .....\$3.00



### 1/4" Poly Nut

Part No. 021-023.....\$2.00



### 1/4" Poly Sleeve

Part No. 021-037, pkg. of 10.....\$2.00



### MPT Barb

Part No. 022-006, 1/16" barb x 1/8" MPT.....\$5.00

Part No. 022-016, 1/8" barb x 1/8" MPT.....\$6.00



### 1/4" Poly x 1/8" MPT

Part No. 021-027.....\$4.00



### 1/4" Poly Tee

Part No. 021-035.....\$6.00



### 1/4" Poly x 1/8" MPT Elbow

Part No. 021-036.....\$3.50



### Mounting Brackets

Part No. 024-015.....\$4.00

- Used to mount a 15/32" O.D. valve or switch

Part No. 024-018.....\$6.00

- Used to mount a 1/2" O.D. quick disconnect

Part No. 024-019.....\$17.00

- Used to mount a 1/4" and 3/8" O.D. quick disconnect



### Male Poly, without Shut-off QD

Part No. 024-002, 1/4".....\$18.00

Part No. 024-007, 3/8".....\$20.00



### Female Poly, Panel Mount QD

Part No. 024-003, 1/4".....\$28.00

Part No. 024-008, 3/8".....\$34.00



### Female 1/8" MPT QD

Part No. 024-004, 1/8" MPT x 1/4" female.....\$9.00



### Male Poly, with Shut-off QD

Part No. 024-001, 1/4".....\$22.00

Part No. 024-006, 3/8".....\$27.00



### 1/4" & 3/8" QD's with Mounting Bracket

Part No. 030-013.....\$115.00

Part No. 030-015 1/4" QD w/bracket (not shown) \$40.00

- anodized aluminum bracket

- Includes tubing, fitting, tee's and mounting screws



### Air and Water Filter

- Part No. 119-000, filter and housing 1/8 MPT ..... \$26.00
- Part No. 119-001, filter and housing 10-32 threads ..... \$26.00
- Part No. 119-008, filter and housing 10-32 barbs ..... \$31.00
- Part No. 119-020, filter and housing with 1/8" MPT x 1/4" poly. \$31.00
- Solid brass body
- 35 micron filtration
- 1/8" FPT ports
- Easily disassembled for cleaning
- All of the above use 119-003 filters



119-008

119-020

### Replacement Filter Element (used on above)

- Part No. 119-003.....\$3.00
- Sintered bronze
- 35 micron filtration
- 7/8" dia.



### Replacement Filter Element

- Part No. 119-004 ..... \$4.50
- Currently used on BDS 127-010 air/water regulators
- Sintered bronze
- 35 micron filtration
- 1-1/8" dia.



### Replacement Filter Element

- Part No. 119-005 ..... \$4.50
- Currently used on BDS 127-010 air/water regulators
- Sintered bronze
- 100 micron filtration
- 1-1/8" dia.



### Gauges

- Part No. 026-001 0-100 psi..... \$20.00
- Part No. 026-002 Panel Mount 0-100 psi..... \$20.00
- 0-160 psi, 1-5/8" dia. 026-001
- 0-100 psi, 1/8" MPT 026-002
- 10-32 port



026-001

026-002

### Rectangular Gauge, Panel Mount

- Part No. 026-003 .....\$32.00
- 0-60 psi.
- 1/2" x 1-3/4"
- 10-32 port



### Storage Bin Only

Part No. 110-015..... \$30.00



### Replacement Hinges for Storage Bin

Part No. 110-014, set of 2 ..... \$14.00



### Storage Bin Assembly

Part No. 110-016, 23" wide, 4 bins ..... \$315.00

- For custom mounting to carts
- 2 position: horizontal and 30° tilt



### Storage Bin Internal Divider

Part No. 110-037, vertical divider ..... \$10.00

Part No. 110-036, horizontal divider..... \$8.00

### Replacement Lid for Storage Bin

Part No. 110-025, white ..... \$10.50

Part No. 110-027, clear..... \$13.00



110-025



110-027

### Work Surface (Cart Top)

Part No. 101-113..... \$350.00

- Large work surface, 16" x 22"
- Star Board ST Plastic Work Surface (Antimicrobial)
- Color, Dolphin Grey



### Casters

Part No. 108-007..... \$9.00

- Twin wheel
- For cart frame and stools

Part No. 108-009 ..... \$20.00

- Hardwood floor caster
- Twin wheel
- For cart frame and stools



### H-Type Mobile Frame

Part No. 108-016, 27" to 35", 18" wide ..... \$485.00

- Both cart frames measure 18-1/2" deep
- 2" dia. vertical upright
- Mounting plate, 4-7/8" x 6"
- Twin wheel casters
- Sterling color



### Post Cap/Cart Frame End Cap

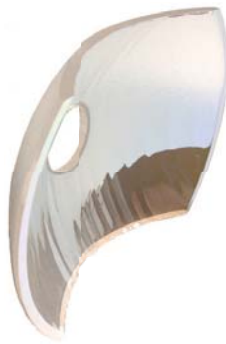
Part No. 010-059 ..... \$3.80

- Fits 28", 40", 48" and 54" posts
- Fits 2" dia. posts



## Aerolight Replacement Parts

Part No. 102-011, glass lens reflector..... \$130.00  
 ■ **Manufactured specifically for use with Aerolight**



Part No. 102-012, safety shield..... \$70.00  
 ■ Polycarbonate material



Part No. 102-013, bulb..... \$40.00  
 ■ **Manufactured specifically for use with Aerolight**  
 ■ 26V, 100 Watt  
 ■ Halogen Filament



Part No. 102-014, bulb protector ..... \$50.00



## Aerolight Replacement Parts

Part No. 102-128, end caps..... \$22.00



Part No. 102-154, transformer, ..... \$160.00  
 ■ UL Approved  
 ■ Input: 120 VAC 60Hz 1.5A Max  
 ■ Output: 20~23 VAC 4.24A Max  
 ■ 6" L x 4" W x 3" H



Part No. 102-076, On-Off switch..... \$30.00



Part No. 102-089, fuse ..... \$2.50  
 ■ 5 amp  
 ■ Fast Acting / Indicating Fuse



Part No. 102-190, cabinet mount bracket..... \$190.00  
 ■ For use with 2" diameter post  
 ■ Designed for use with x-ray column



## Celux Light Replacement Parts

Part No. CLX-010, safety shield ..... \$74.00



Part No. CLX-011, bulb..... \$34.00



Part No. CLX-012, bulb protector .....\$38.00



Part No. CLX-013, plastic lens reflector ..... \$190.00



Part No. CLX-014 'S' spring for bulb..... \$22.00



Part No. CLX-015, handle assembly .....\$220.00

■ Includes 2 CLX-016 plastic shield side clips



Part No. CLX-026, back cover ..... \$60.00



## Celux Light Replacement Parts

Part No. CLX-017, On-Off switch.....\$54.00



Part No. CLX-018, transformer ..... \$178.00



Part No. CLX-019, toggle switch cover ..... \$4.00



Part No. CLX-020, end caps.....\$24.00



Part No. CLX-025 bulb housing assembly .....\$158.00

■ Includes CLX-014 "S" spring for bulb



Part No. CLX-030, complete wiring harness.....\$86.00



## 2" dia. Posts with Pelton Crane Adapter

Part No. 146-202, 28".....	\$130.00
Part No. 146-203, 40" with 1 - 1-1/4" hole.....	\$172.00
Part No. 146-206, 54" with 1 - 3/4" hole.....	\$182.00
Part No. 146-209, 28" with 1 - 1-1/4" hole.....	\$140.00
Part No. 146-212, 48" with 2 - 1-1/4" holes.....	\$176.00

- .083 wall thickness
- 2" true post



## Light Post Adapters

Part No. 146-005.....	\$33.00
-----------------------	---------

- Fits Den-Tal-Ez, Faro, Forest and Ritter
- Measures 1.825 O.D. x 1.380 I.D.

Part No. 146-205.....	\$32.00
-----------------------	---------

- Used inside 146-208 (Ritter shim)
- Fits Celux, Pelton, Adec, Belmont and Beaverstate 2" dia. post
- Measures 1.700 O.D. x 1.380" I.D.

Part No. 146-208.....	\$28.00
-----------------------	---------

- Fits Celux, Pelton, Adec and Belmont
- Measures 1.844 O.D. x 1.700 I.D.



## Post Cap/Cart Frame End Cap

Part No. 010-059.....	\$3.80
-----------------------	--------

- Fits into 2" dia. posts



## Post Dressing Ring

Part No. 146-211.....	\$4.00
-----------------------	--------

- Fits over 2" dia. posts
- Slides over and down post



## Light Post Extension

Part No. 146-000.....	\$380.00
-----------------------	----------

- Includes butterfly post clamp, 2 - 28" posts, post cap, light cord and sleeve

Part No. 146-015.....	\$260.00
-----------------------	----------

- Includes butterfly post clamp, 1 - 28" post, post cap, light cord and sleeve



146-000



146-015

Unit post must be drilled for power cord

## Butterfly Post Clamp

Part No. 146-001.....	\$98.00
-----------------------	---------

- Adapts light post to control post
- Drilled to conceal light cord



## Nyliner Bushing

Part No. 013-007.....	\$20.00
-----------------------	---------

- Adapts 1-7/8" post to 2" dia. mount



## Wall Mount Board

Part No. 106-209.....	\$170.00
-----------------------	----------

- Measures 12" x 12"





### Beaverstate Epic Chair Adapter

- Part No. 400-030 .....\$310.00
- Includes mounting hardware
  - Accommodates 2" dia post



### Belmont 7 thru 50 Chair Adapter

- Part No. 146-102..... \$295.00
- Includes mounting hardware
  - Accommodates 2" dia. post



**OTHER CHAIR ADAPTERS ARE AVAILABLE AS SPECIAL ORDER UPCHARGE WILL APPLY.**

### Cuspidor Bowl Strainer

- Part No. 132-008.....\$2.00
- Part No. 132-009, pkg. of 10 ..... \$15.00
- Disposable
  - White plastic
  - Fits most bowls



### Cuspidor Bowl

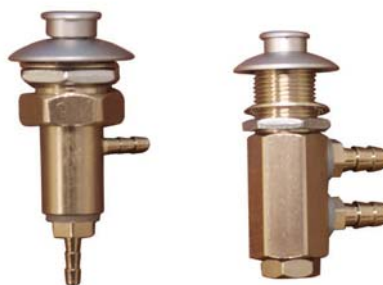
- Part No. 132-110, ceramic with O-rings.....\$148.00
- 8" dia.
  - Easy to clean



132-110 Ceramic

### Cuspidor Valve Button

- Part No. 132-018 Cup fill valve .....\$48.00
- Part No. 132-020 Bowl rinse valve.....\$40.00



132-020

132-018

### Cuspidor Drain Tubing

- Part No. 115-747, 5/8" Sterling ..... \$4.00/ft.
- PVC Material



### Vacuum Cuspidor Drain Kit

- Part No. 112-072, 5/8" drain ..... \$300.00
- Used to adapt gravity drain cuspidors to central vac
  - Includes vacuum drain valve, flush nipple, filter assembly, tubing and installation hardware

- Part No. 112-073 replacement diaphragm.....\$12.00
- Part No. 112-074 replacement bowl.....\$15.00



### Cuspidor Bowl Replacement O-ring

- Part No. 017-150 for ceramic bowl ..... \$2.50 ea.
- 2 Required per bowl

### Tie Strap

- Part No. 117-033, 4", pkg. of 10 .....\$1.50
- Part No. 117-036, 5-1/2", pkg. of 10 .....\$2.00



### Touch-Up Paint

- Part No. 110-101.....\$9.00
- Available in "Sterling" color only
- 1 oz. bottle



### Tie Strap Clamp with Adhesive Back

- Part No. 117-055, pkg. of 5 .....\$8.50



### Sleeve Clamp Tool

- Part No. 117-031.....\$34.00
- Fits 1/8" & 1/4" ferrules



### Allen Wrench Set

- Part No. 010-024 .....\$28.00
- .050" to 5/16"
- Ball driver end



### Arm Adjustment Wrench

- Part No. 010-030 .....\$70.00
- Modified 9/16" & 5/8" combo wrench
- Used to adjust manual arm spring tension



## O-rings, Buna

Part No. 017-301, buna-n, pkg. of 10	\$2.50
Part No. 017-302, buna-n, pkg. of 10	\$2.50
Part No. 017-303, buna-n, pkg. of 10	\$2.50
Part No. 017-304, buna-n, pkg. of 10	\$2.50
Part No. 017-305, buna-n, pkg. of 10	\$2.50
Part No. 017-306, buna-n, pkg. of 10	\$2.50
Part No. 017-307, buna-n, pkg. of 10	\$2.50
Part No. 017-308, buna-n, pkg. of 10	\$2.50
Part No. 017-321, buna-n, pkg. of 10	\$4.40
Part No. 017-323, buna-n, pkg. of 10	\$4.40

## O-rings, Viton<sup>(R)</sup>

Part No. 017-401, Viton <sup>(R)</sup> , pkg. of 10	\$2.50
Part No. 017-402, Viton <sup>(R)</sup> , pkg. of 10	\$2.70
Part No. 017-404, Viton <sup>(R)</sup> , pkg. of 10	\$2.70
Part No. 017-408, Viton <sup>(R)</sup> , pkg. of 10	\$4.60
Part No. 017-410, Viton <sup>(R)</sup> , pkg. of 10	\$4.60
Part No. 017-411, Viton <sup>(R)</sup> , pkg. of 10	\$5.50
Part No. 017-413, Viton <sup>(R)</sup> , pkg. of 10	\$6.00

## O-rings, Ethylene Propylene

Part No. 017-601, E P, pkg. of 10	\$2.50
Part No. 017-602, E P, pkg. of 10	\$2.50
Part No. 017-603, E P, pkg. of 10	\$2.50
Part No. 017-604, E P, pkg. of 10	\$2.50

■ Highly recommended for use with chlorinated water

## O-ring Kit, Buna-n

Part No. 017-125	\$28.00
------------------	---------

■ 120 O-rings  
■ 12 commonly used sizes  
■ 12 compartment plastic box

## O-ring Kit, Viton<sup>(R)</sup>

Part No. 017-127	\$38.00
------------------	---------

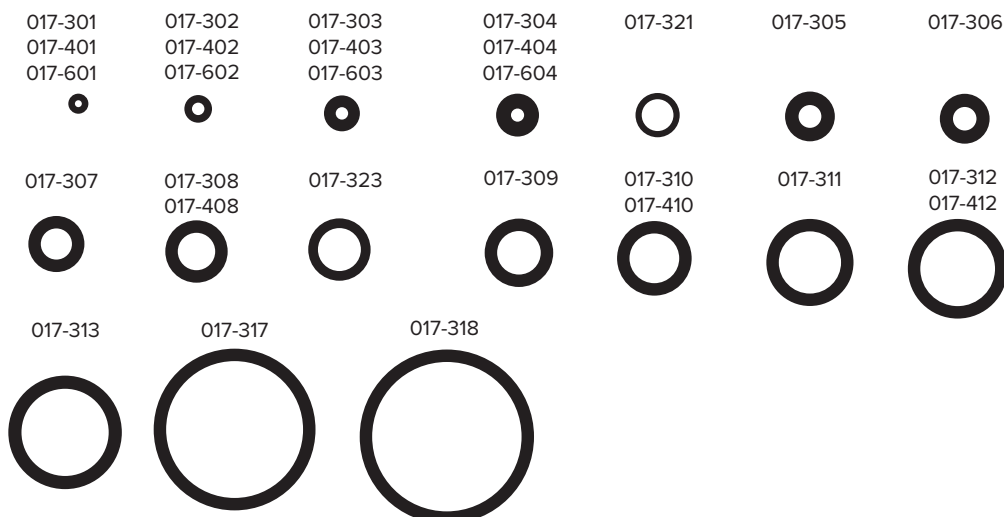
■ 100 O-rings  
■ 10 commonly used sizes  
■ 12 compartment plastic box

## 12 Compartment Plastic Box Only

Part No. 017-126	\$9.00
------------------	--------



Size chart below, applies to all O-rings above.  
O-Rings below are drawn actual size.





# Shipping Dimensions

Model #	Length	Width	Height	Model #	Length	Width	Height
A-050	13"	13"	7"	RD-4600	19"	19"	9"
A-100	13"	13"	7"	RD-4650	19"	19"	9"
A-101	13"	13"	7"	RD-3100	19"	19"	11"
A-200	13"	13"	7"	RD-3101	19"	19"	11"
A-202	13"	13"	7"	RD-3102	19"	19"	11"
A-220	13"	13"	7"	RD-3103	19"	19"	11"
A-222	13"	13"	7"	RD-3150	19"	19"	11"
A-230	13"	13"	7"	RD-3151	19"	19"	11"
A-250	13"	13"	7"	RD-3152	19"	19"	11"
A-300	17"	17"	7"	RD-3153	19"	19"	11"
A-400	13"	13"	7"	S-330	19"	19"	9"
A-2100	25"	22"	30"	S-340	17"	17"	7"
A-2150	25"	22"	30"	S-2500	40"	24"	14"
A-3100	25"	22"	30"	S-3300	40"	24"	14"
A-3101	25"	22"	30"	S-3306	40"	24"	14"
A-3103	25"	22"	30"	S-3420	40"	24"	14"
A-3150	25"	22"	30"	S-3600	40"	24"	14"
A-3151	25"	22"	30"	S-3606	40"	24"	14"
A-3153	25"	22"	30"	S-3620	40"	24"	14"
A-4100	25"	22"	30"	Ships in 3 boxes	44"	11"	6"
A-4150	25"	22"	30"		50"	3"	3"
A-4500	25"	22"	30"	S-3630	40"	24"	14"
A-4550	25"	22"	30"	S-3636	40"	24"	14"
A-5000	19"	19"	9"	S-3621	40"	24"	14"
A-5032	19"	19"	9"	Ships in 3 boxes	28"	15"	20"
A-5124	19"	19"	6"		50"	3"	30"
A-5132	19"	19"	9"	S-4100	23"	21"	29"
A-5150	19"	19"	6"	S-4150	23"	21"	29"
A-5200	44"	11"	7"	S-4300	23"	21"	29"
A-5210	25"	9"	9"	S-4350	23"	21"	29"
A-5221	44"	11"	7"	S-4250	23"	29"	30"
A-5222	44"	11"	7"	S-5225	44"	11"	6"
A-5230	44"	11"	7"	S-5325	44"	11"	6"
A-5524	19"	19"	7"	S-6300	37"	27"	20"
AT-96	23"	23"	17"	S-6307	37"	27"	20"
C-4200	28"	15"	20"	SC-4200	19"	19"	14"
C-4201	28"	15"	20"	SC-4250	19"	19"	14"
C-4250	28"	15"	20"	SD-3302	40"	24"	14"
CLX-110	28"	15"	10"	SO-3304	19"	19"	16"
CLX-220	28"	15"	10"	SO-3354	19"	19"	16"
DR-96	23"	23"	17"	WEIGHTS/DIMENSIONS FOR COMPLETE PKG'S			
EPIC	32"	42"	48"		L	W	H
H-3600	40"	24"	14"	Helix	48" x 48"	x 61"	
H-5300	44"	11"	7"	Helix II	32" x 42"	x 48"	
PM-200 13"	13"	7"			48" x 48"	x 30"	
PM-220 13"	13"	7"		Northwest	48" x 48"	x 38"	
PM-400 13"	13"	7"			32" x 42"	x 48"	
PM-4500	19"	19"	9"	Evergreen	48" x 48"	x 48"	
PM-4501	19"	19"	9"		32" x 42"	x 48"	
PM-4550	19"	19"	9"	Cascade	48" x 48"	x 48"	
PM-4551	19"	19"	9"		48" x 48"	x 40"	
RD-4250, 4251	26"	21"	11"	Columbia	48" x 48"	x 48"	
Ships in 3 boxes	26"	21"	11"		32" x 42"	x 48"	
	28"	11"	6"	Sierra	48" x 48"	x 52"	
					32" x 42"	x 48"	
				Mt. Hood	48" x 47"	x 47"	
					32" x 42"	x 48"	
				McKenzie	48" x 48"	x 49"	
					32" x 42"	x 48"	

Note: All large shipments and complete operator packages are shipped via Beaverstate Dental's freight carrier unless otherwise specified.

Model	Price	Page	Model	Price	Page	Model	Price	Page
003-006	\$ .70	92	021-023	\$ 2.00	116	102-012	\$ 70.00	119
003-020	\$ 3.00	108	021-027	\$ 4.00	116	102-013	\$ 40.00	119
010-001	\$ 62.00	94	021-035	\$ 6.00	116	102-014	\$ 50.00	119
010-002	\$ 52.00	94	021-036	\$ 3.50	116	102-076	\$ 30.00	119
010-009	\$ .50	97	021-037	\$ 2.00	116	102-089	\$ 2.50	119
010-024	\$ 28.00	123	022-006	\$ 5.00	116	102-128	\$ 22.00	119
010-030	\$ 70.00	123	022-013	\$ 10.00	115	102-154	\$ 160.00	119
010-048	\$ .30	97	022-014	\$ 13.00	115	102-190	\$ 190.00	119
010-051	\$ 32.00	94	022-016	\$ 6.00	116	103-065	\$ 36.00	68, 70, 72, 92
010-055	\$ 15.00	106	022-025	\$ 11.00	115	105-008	\$ 34.00	92
010-059	\$ 3.80	118,121	022-055	\$ 15.00	115	105-009	\$ 36.00	92
010-060	\$ 5.00	94	022-056	\$ 14.00	115	105-016	\$ 52.00	93
010-061	\$ 4.00	94	022-061	\$ 15.00	115	105-017	\$ 70.00	92
013-007	\$ 20.00	121	023-008	\$ 3.00	115	105-018	\$ 62.00	86, 93
014-007	\$ 39.00	102	024-001	\$ 22.00	116	105-026	\$ 250.00	92
014-012	\$ 11.00	103	024-002	\$ 18.00	116	105-027	\$ 250.00	92
014-016	\$ 35.00	102	024-003	\$ 28.00	116	105-028	\$ 260.00	92
016-001	\$ 65.00	113, 114	024-004	\$ 9.00	116	105-029	\$ 260.00	92
016-010-5	\$ 180.00	113	024-006	\$ 27.00	116	105-034	\$ 76.00	92
016-010	\$ 42.00	113	024-007	\$ 20.00	116	105-039	\$ 58.00	92
016-020	\$ 10.00	98	024-008	\$ 34.00	116	105-040	\$ 56.00	92
016-023	\$ 40.00	98	024-010	\$ 74.00	108	105-042	\$ 60.00	92
016-031	\$ 43.00	98	024-015	\$ 4.00	116	105-043	\$ 64.00	92
016-032	\$ 43.00	98	024-018	\$ 6.00	116	105-051	\$ 62.00	93
017-030	\$ 1.50	97	024-019	\$ 17.00	116	105-053	\$ 345.00	94
017-125	\$ 28.00	124	025-001	\$ 120.00	106	105-055	\$ 65.00	97
017-126	\$ 9.00	124	026-001	\$ 20.00	117	105-060	\$ 42.00	28,64,92
017-127	\$ 38.00	124	026-002	\$ 20.00	117	105-062	\$ 85.00	94
017-150	\$ 2.50	122	026-003	\$ 32.00	117	105-063	\$ 21.00	68, 70, 72, 93
017-301	\$ 2.50	124	026-020	\$ 26.00	103	105-065	\$ 170.00	94
017-302	\$ 2.50	124	030-001	\$ 6.00	115	105-068	\$ 180.00	94
017-303	\$ 2.50	124	030-002	\$ 6.00	115	105-078	\$ 180.00	94
017-304	\$ 2.50	124	030-003	\$ 6.00	115	105-080	\$ 560.00	5, 7
017-305	\$ 2.50	124	030-004	\$ 6.00	115	105-092	\$ 84.00	93
017-306	\$ 2.50	124	030-007	\$ 29.00	106	105-093	\$ 95.00	94
017-307	\$ 2.50	124	030-010	\$ 34.00	89	105-096	\$ 180.00	86
017-308	\$ 2.50	124	030-012	\$ 65.00	86, 88, 89	105-120	\$ 200.00	93
017-321	\$ 4.40	124	030-013	\$ 115.00	116	105-126	\$ 72.00	93
017-323	\$ 4.40	124	030-014	\$ 84.00	1,2,3,8,30,32	105-127	\$ 84.00	93
017-401	\$ 2.50	124		36,38,40,42,44,46,48,50,52,	105-130	\$ 160.00	93	
017-402	\$ 2.70	124		54,56,58,60,62,78,86,88,90	105-170	\$ 80.00	101	
017-404	\$ 2.70	124	030-015	\$ 40.00	116	105-174	\$ 110.00	101
017-408	\$ 4.60	124	030-016	\$ 88.00	4, 5,6,7,10,80	105-175	\$ 510.00	90
017-410	\$ 4.60	96, 124	030-017	\$ 88.00	89	105-177	\$ 100.00	101
017-411	\$ 5.50	124	030-018	\$ 115.00	86	105-180	\$ 590.00	90
017-413	\$ 6.00	96, 124	030-025	\$ 2.00	115	105-181	\$ 170.00	101
017-601	\$ 2.50	124	030-026	\$ 8.00	115	105-182	\$ 130.00	101
017-602	\$ 2.50	124	030-036	\$ 2.50	115	105-183	\$ 145.00	101
017-603	\$ 2.50	124	101-016	\$ 50.00	28	105-186	\$ 520.00	91
017-604	\$ 2.50	124	101-113	\$ 350.00	118	105-190	\$ 275.00	101
020-022	\$ 12.00	103	102-011	\$ 130.00	119	105-191	\$ 225.00	101



Model	Price	Page	Model	Price	Page	Model	Price	Page
105-193	\$240.00	101	110-101	\$9.00	123	115-012	\$170.00	113
105-194	\$185.00	101	112-059	\$6.00	96	115-014	\$175.00	113
105-195	\$190.00	78	112-072	\$300.00	122	115-016	\$1.80/ft.	111
105-315	\$625.00	44	112-073	\$12.00	122	115-017	\$2.70/ft.	112
105-316	\$190.00	34, 44	112-074	\$15.00	122	115-020	\$1.20/ft.	111
106-203	\$115.00	91	112-169	\$7.00	96	115-022	\$3.00/ft.	111
106-205	\$140.00	93	112-170	\$7.00	96	115-023	\$5.00/ft.	112
106-209	\$170.00	34, 121	112-174	\$3.00	96	115-024	\$5.00/ft.	112
106-223	\$990.00	91	112-175	\$5.00	96	115-025	\$5.00/ft.	112
106-225	\$990.00	91	112-177	\$6.00	96	115-027	\$5.00/ft.	112
106-300	\$980.00	91	112-181	\$4.50	96	115-028	\$5.00/ft.	112
106-302	n/c	34	112-190	\$32.00	95	115-030	\$5.00/ft.	112
106-306	\$980.00	91	112-192	\$32.00	95	115-034	\$8.00/ft.	112
106-309	\$980.00	91	112-193	\$57.00	95	115-038	\$1.80/ft.	112
107-145	\$300.00	..... 1,2,3,4,5,9,10,16,18	112-262	\$42.00	95	115-039	\$3.20/ft.	112
107-153	\$120.00	48	112-263	\$57.00	95	115-040	\$2.70/ft.	112
108-007	\$9.00	118	112-280	\$34.00	95	115-041	\$3.10/ft.	112
108-009	\$20.00	118	113-026	\$26.00	105	115-042	\$3.30/ft.	112
108-016	\$485.00	118	113-030	\$6.00	105	115-045	\$4.40/ft.	112
110-004	\$172.00	...16,18,20,22,24,26,48, ..... 50,52,62,66,88,107	113-202	\$115.00	104	115-046	\$5.00/ft.	112
110-007	\$30.00	108	113-230	\$17.00	105	115-048	\$8.00/ft.	112
110-009	\$20.00	108	113-237	\$55.00	105	115-050	\$9.00/ft.	112
110-012	\$20.00	108	113-242	\$15.00	103	115-052	\$10.00	88
110-014	\$14.00	118	113-247	\$500.00	105	115-053	\$14.00	111
110-015	\$30.00	118	113-400	\$92.00	104	115-055	\$1.00/ft.	111
110-016	\$315.00	..... 44, 52, 54, 56, 58, ..... 60, 62, 118	113-403	\$28.00	105	115-057	\$5.00/ft.	112
110-025	\$10.50	118	113-412	\$5.00	105	115-059	\$9.00/ft.	112
110-027	\$13.00	118	113-505	\$105.00	104	115-060	\$82.00	113
110-028	\$224.00	... 16,18,20,22, ..... 24,26,48,50,52,62, ..... 66,88,107	113-508	\$100.00	104	115-062	\$12.00	66
110-029	\$318.00	107	113-510	\$105.00	104	115-063	\$57.00	113
110-030	\$5.00	108	113-513	\$100.00	104	115-064	\$1.00/ft.	111
110-032	\$162.00	107	113-514	\$135.00	4,5,6,7,10,80,104	115-065	\$9.00/ft.	112
110-036	\$8.00	118	113-515	\$125.00	104	115-067	\$9.00/ft.	112
110-037	\$10.00	118	114-006	\$20.00	114	115-080	\$100.00	113,114
110-040	\$170.00	36,38,40,42	114-016	\$18.00	113	115-092	\$135.00	114
110-041	\$14.00	108	114-025	\$24.00	110	115-103	\$295.00	114
110-042	\$18.00	108	114-026	\$24.00	110	115-108	\$1.50/ft.	111
110-062	\$340.00	107	114-028	\$31.00	113	115-109	\$1.70/ft.	110
110-066	\$385.00	107	114-035	\$24.00	110	115-111	\$325.00	113
110-067	\$405.00	107	114-036	\$24.00	110	115-113	\$315.00	113
110-068	\$425.00	107	114-125	\$42.00	110	115-119	\$19.00	111
110-069	\$210.00	107	114-129	\$32.00	110	115-158	\$23.00	110
110-076	\$250.00	107	114-135	\$41.00	110	115-171	\$270.00	113
110-090	\$320.00	1	114-139	\$33.00	110	115-173	\$265.00	113
			114-229	\$32.00	110	115-183	\$230.00	114
			114-629	\$37.00	110	115-203	\$295.00	114
			114-630	\$37.00	110	115-209	\$1.70/ft.	110
			114-725	\$42.00	110	115-212	\$170.00	113
			114-729	\$32.00	110	115-213	\$315.00	113
			114-735	\$41.00	110	115-217	\$2.70/ft.	112
			114-739	\$33.00	110	115-220	\$1.20	111

Model	Price	Page	Model	Price	Page	Model	Price	Page
115-234	\$ .80/ft.....	112	115-748	\$8.00/ft.....	112	125-116	\$6.50.....	101
115-255	\$1.00/ft.....	111	115-753	\$14.00.....	111	126-008	\$85.00.....	109
115-263	\$57.00.....	113	115-755	\$1.00/ft.....	111	126-133	\$220.00.....	109
115-264	\$1.00/ft.....	111	115-758	\$23.00.....	110	126-153	\$210.00.....	109
115-273	\$260.00.....	113	115-759	\$.90/ft.....	112	126-160	\$98.00.....	109
115-283	\$230.00.....	114	115-760	\$82.00.....	113	126-164	\$4.80.....	109
115-292	\$135.00.....	114	115-763	\$57.00.....	113	126-200	\$100.00.....	109
115-500	\$12.00.....	16,18,20,24,26,34	115-764	\$1.00/ft.....	111	126-203	\$260.00.....	109
115-502	\$12.00.....	48,50	115-771	\$270.00.....	113	126-225	\$20.00.....	109
115-500S	\$12.00.....	20,24,26,34	115-773	\$265.00.....	113	126-260	\$200.00.....	109
115-503	\$12.00.....	30,32,36,38,40, 42,46,64,78	115-783	\$230.00.....	114	127-010-A	\$135.00.....	106
115-505	\$12.00.....	48,50,54,56,58, 60,64,68,74	115-792	\$135.00.....	114	127-010-W	\$135.00.....	106
115-506	\$12.00.....	54	117-009	\$1.70.....	115	127-011	\$290.00.....	106
115-507	\$12.00.....	28	117-010	\$1.80.....	115	128-010	\$29.00.....	106
115-511	\$12.00.....	44,52	117-012	\$13.50.....	115	128-016	\$31.00.....	102
115-519	\$12.00.....	62	117-019	\$12.50.....	115	128-017	\$42.00.....	102
115-603	\$300.00.....	114	117-031	\$34.00.....	123	131-026	\$325.00.....	89
115-609	\$2.10/ft.....	110	117-033	\$1.50.....	123	131-027	\$325.00.....	89
115-612	\$175.00.....	113	117-036	\$2.00.....	123	131-030	\$25.00.....	97
115-613	\$320.00.....	113	117-055	\$8.50.....	123	131-030 LID	\$6.00.....	97
115-617	\$4.50/ft.....	112	117-056	\$15.00.....	98	131-034	\$26.00.....	36, 38,40,42,46,76,78,98
115-634	\$1.30/ft.....	112	119-000	\$26.00.....	117	131-035	\$27.00.....	97
115-663	\$62.00.....	113	119-001	\$26.00.....	117	131-035 LID	\$6.00.....	97
115-664	\$3.00/ft.....	111	119-003	\$3.00.....	117	131-036	\$38.00.....	97
115-673	\$270.00.....	113	119-004	\$4.50.....	117	131-036 LID	\$7.00.....	97
115-683	\$235.00.....	114	119-005	\$4.50.....	117	131-038	\$3.00.....	96
115-692	\$140.00.....	114	119-008	\$31.00.....	117	131-039	\$3.00.....	96
115-703	\$295.00.....	114	119-020	\$31.00.....	117	131-045	\$545.00.....	89
115-708	\$1.50/ft.....	111	119-027	\$45.00.....	20,22,24,26, 30,32,34,44,46,48,50, 52,64,76,78,98	131-052	\$1.00.....	97
115-709	\$1.70/ft.....	110	119-028	\$18.00.....	98	131-053	\$1.00.....	97
115-711	\$325.00.....	113	120-000	\$21.00.....	102	131-054	\$9.00.....	97
115-712	\$170.00.....	113	120-005	\$23.00.....	102	131-055	\$9.00.....	97
115-713	\$315.00.....	113	120-015	\$21.00.....	102	131-070	\$80.00.....	97
115-714	\$175.00.....	113	120-018	\$23.00.....	102	131-071	\$82.00.....	97
115-716	\$1.60/ft.....	111	120-018	\$23.00.....	102	132-008	\$2.00.....	122
115-717	\$2.70/ft.....	112	121-000	\$21.00.....	102	132-009	\$15.00.....	122
115-719	\$19.00.....	111	121-002	\$9.00.....	102	132-018	\$48.00.....	122
115-720	\$1.20/ft.....	111	122-031	\$10.00.....	100	132-020	\$40.00.....	122
115-726	\$3.00/ft.....	111	122-044	\$10.00.....	100	132-110	\$148.00.....	122
115-729	\$3.00/ft.....	111	122-049	\$32.00.....	100	132-121	\$200.00.....	80
115-732	\$2.50/ft.....	111	122-055	\$44.00.....	99	141-002	\$10.00.....	100
115-734	\$.80/ft.....	112	122-056	\$44.00.....	99	141-005	\$12.00.....	100
115-739	\$3.20/ft.....	112	122-060	\$64.00.....	99	141-006	\$9.00.....	100
115-740	\$2.70/ft.....	112	122-061	\$64.00.....	99	141-016	\$10.00.....	100
115-741	\$3.10/ft.....	112	122-100	\$32.00.....	99	141-017	\$6.00.....	100
115-742	\$3.30/ft.....	112	122-200	\$32.00.....	99	141-023	\$22.00.....	99
115-744	\$3.80/ft.....	112	123-000	\$36.00.....	103	141-037	\$25.00.....	99
115-745	\$4.40/ft.....	112	125-016	\$4.50.....	101	141-038	\$9.00.....	92,100
115-746	\$5.00/ft.....	112	125-030	\$160.00.....	101	141-050	\$17.00.....	101
115-747	\$4.00/ft.....	112, 122	125-040	\$200.00.....	101	141-051	\$19.00.....	101
			125-044	\$5.50.....	101	141-052	\$21.00.....	101



Model	Price	Page	Model	Price	Page	Model	Price	Page
141-053	\$23.00	101	A-4100	\$2,840.00	59,60	FL-3000	\$3,300.00	81,82
141-054	\$27.00	101	A-4150	\$3,400.00	59,60	*Mckenzie	\$16,975.00	7
141-055	\$25.00	101	A-4500	\$1,310.00	61,62	*Mt. Hood	\$16,275.00	6
141-061	\$38.00	100	A-4550	\$1,670.00	61,62	*Northwest	\$15,382.00	2
141-100	\$16.00	99	A-5000	\$770.00	85,86	PM-200	\$780.00	73,74
141-200	\$16.00	99	A-5032	\$795.00	85,86	PM-220	\$890.00	73,74
144-015	\$120.00	106	A-5124	\$795.00	85,86	PM-400	\$1,200.00	73,74
144-018	\$420.00	106	A-5132	\$780.00	85,86	PM-4500	\$1,600.00	75,76
144-020	\$270.00	106	A-5150	\$820.00	31,32	PM-4501	\$1,580.00	77,78
144-027	\$300.00	106	A-5200	\$990.00	85,86	PM-4550	\$1,800.00	75,76
144-046	\$500.00	106	A-5210	\$780.00	3	PM-4551	\$1,790.00	77,78
144-047	\$220.00	106	A-5221	\$830.00	85,86	RD-3100	\$2,090.00	39,40
145-000	\$1,300.00	3	A-5222	\$900.00	85,86	RD-3101	\$1,800.00	41,42
145-002	\$1,300.00	5,7	A-5230	\$1,060.00	87,88	RD-3102	\$1,870.00	37,38
146-000	\$380.00	121	A-5524	\$1,040.00	87,88	RD-3103	\$1,720.00	35,36
146-001	\$98.00	121	AT-96	\$775.00	13	RD-3150	\$2,550.00	39,40
146-005	\$33.00	121	AT-97	\$1,200.00	13	RD-3151	\$2,030.00	41,42
146-015	\$260.00	121	AT-96UL	\$1,005.00	14	RD-3152	\$2,320.00	37,38
146-102	\$295.00	122	AT-97UL	\$1,430.00	14	RD-3153	\$1,920.00	35,36
146-202	\$130.00	121	*Cascade	\$13,187.00	8	RD-4250	\$6,500.00	43,44
146-203	\$172.00	121	C-4200	\$1,055.00	79,80	RD-4251	\$4,450.00	43,44
146-205	\$32.00	121	C-4201	\$1,180.00	5,7	RD-4600	\$1,500.00	45,46
146-206	\$182.00	121	C-4250	\$1,590.00	79,80	RD-4650	\$1,700.00	45,46
146-208	\$28.00	121	CH-0903	\$575.00	12	S-2500	\$2,565.00	21,22
146-209	\$170.00	121	CH-0905	\$300.00	12	S-2506	\$2,565.00	21,22
146-211	\$4.00	121	CH-0906	\$875.00	12	S-3300	\$3,425.00	23,24
146-212	\$176.00	121	CLX-010	\$74.00	120	S-3306	\$3,425.00	23,24
400-002	\$450.00	106	CLX-011	\$34.00	120	S-330	\$1,590.00	63,64
400-008	\$1,250.00	1	CLX-012	\$38.00	120	S-3420	\$2,900.00	19,20
400-028	\$250.00	106	CLX-013	\$190.00	120	S-3426	\$2,900.00	19,20
400-030	\$310.00	2, ..... 3,4,5,6,7,8,9,10,122	CLX-014	\$22.00	120	S-3600	\$3,525.00	15,16
400-045	\$430.00	12	CLX-015	\$220.00	120	S-3606	\$3,525.00	15,16
400-165	\$165.00	12	CLX-017	\$54.00	120	S-3620	\$4,971.00	9
A-050	\$330.00	71,72	CLX-018	\$178.00	120	S-3621	\$5,744.00	10
A-100	\$530.00	71,72	CLX-020	\$24.00	120	S-3630	\$3,745.00	17,18
A-101	\$350.00	71,72	CLX-025	\$158.00	120	S-3636	\$3,745.00	17,18
A-200	\$635.00	69,70	CLX-026	\$60.00	120	S-4100	\$2,460.00	49,50
A-202	\$675.00	69,70	CLX-030	\$86.00	120	S-4150	\$2,730.00	49,50
A-220	\$720.00	67,68	CLX-110	\$1,350.00	83,84	S-4250	\$4,150.00	51,52
A-222	\$770.00	67,68	CLX-220	\$1,350.00	83,84	S-4300	\$2,830.00	47,48
A-230	\$765.00	27,28	*Columbia	\$16,832.00	4	S-4350	\$2,930.00	47,48
A-250	\$845.00	27,28	DR-96	\$545.00	13	S-5225	\$1,270.00	9
A-300	\$1,590.00	63,64	DR-97	\$1,015.00	13	S-5325	\$1,990.00	65,66
A-400	\$1,060.00	67,68	DR-96UL	\$775.00	14	S-6300	\$3,950.00	25,26
A-3100	\$2,950.00	53,54	DR-97UL	\$1,245.00	14	S-6307	\$3,950.00	25,26
A-3101	\$2,780.00	55,56	Epic Chair	\$7,800.00	11,12	SC-4200	\$2,075.00	31,32
A-3103	\$2,620.00	57,58	*Evergreen	\$16,015.00	3	SC-4250	\$2,700.00	31,32
A-3150	\$3,550.00	53,54	*Helix	\$16,595.00	1	SD-3302	\$3,530.00	33,34
A-3151	\$2,900.00	55,56	H-3600	\$3,525.00	1	*Sierra	\$16,550.00	5
A-3153	\$2,830.00	57,58	H-5200	\$935.00	2	SO-3304	\$2,175.00	29,30
			H-5300	\$1,400.00	1	SO-3354	\$2,340.00	29,30

\* Operatory Packages



# Nauga Soft

NAUGAHYDE<sup>®</sup>  
BRAND FABRIC



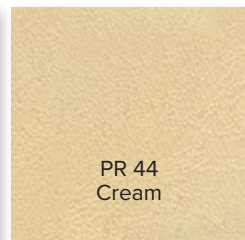
PR 49  
Deep Sea



PR 46  
Blue Fog



PR 51  
Cocoa



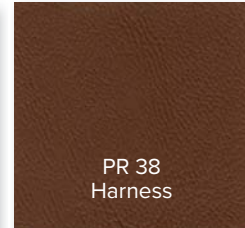
PR 44  
Cream



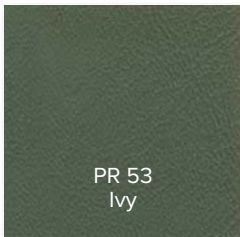
PR 35  
Fawn



PR 37  
Feather



PR 38  
Harness



PR 53  
Ivy



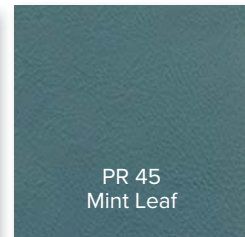
PR 50  
Lake Louise



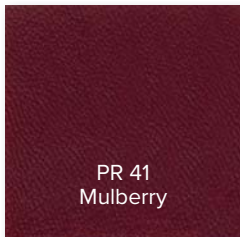
PR 39  
Laurel



PR 54  
Mallard Blue



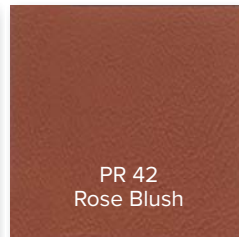
PR 45  
Mint Leaf



PR 41  
Mulberry



PR 47  
Tapestry red



PR 42  
Rose Blush



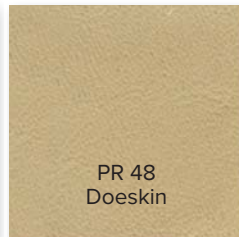
PR 52  
Saddle



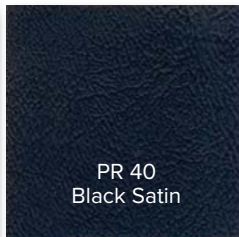
PR 34  
Soft White



PR 43  
Velvet Brown



PR 48  
Doeskin



PR 40  
Black Satin



PR 55  
Deep Sapphire



PR 36  
Cabernet

**Printed colors may vary from actual material. Orders for upholstery are noncancelable**

# NAUGAHYDE®

BRAND FABRIC



## Nauga Soft



Pattern	Roll Width	Roll Size	Weight per Lin. Yd.	MVSS-302	Cal. Fire Code 117	Ultraviolet Stable Pigment	Mildew Resistant	Fed. Spec. CID A-A-2950	BIFMA Class 1	FAA, FAR 25.853	Port. Authority of NY/NJ	Boston Fire Code	Sulfide Stain Resistant	Oil Resistant	Static Dissipative	ASTME 1428-Pink Stain Test	Cold Crack	Abrasion #8 Cotton Duck	Pattern Repeat
All-American (AM)	54"	35	28.8	X	X	X	X	X	X	X	X	X	X	X	X	X	-20°	250,000	N/A
Allure (AL)	54"	35	26.0	X	X	X	X	X	X				X	X	X	X	-20°	250,000	N/A
Bourbon Street (BB)	54"	30	28.2	X	X	X							X	X	X	X	-20°	250,000	N/A
Burkshire (BRK)	54"	30	37.0	X	X	X	X	X	X	X	X	X	X	X	X	X	-20°	250,000	N/A
Chamea II (CY)	54"	35	26.0	X	X	X	X		X				X	X	X	X	-20°	250,000	N/A
Dolphin (DOL)	54"	40	26.8	X	X	X	X		X				X	X	X	X	-20°	250,000	N/A
English Pub (EP)	54"	30	37.0	X	X	X	X	X	X	X	X	X	X	X	X	X	-20°	250,000	N/A
Expressions (EX)	54"	30	37.0	X	X	X	X	X	X	X	X	X	X	X	X	X	-20°	250,000	N/A
Marblestone (MS)	54"	30	37.0	X	X	X	X	X	X	X	X	X	X	X	X	X	-20°	250,000	N/A
NaugaLeather (EE/MI)	54"	35	28.2	X	X	X	X		X				X	X	X	X	-20°	500,000	N/A
Nauga Soft (PR)	54"	35	28.2	X	X	X	X		X				X	X	X	X	-20°	1,000,000	N/A
Neochrome III (NEO)	54"	30	37.0	X	X	X	X	X	X	X	X	X	X	X	X	X	-20°	250,000	N/A
Oakwood (OAK)	54"	30	31.8	X	X	X	X	X	X	X	X	X	X	X	X	X	-20°	250,000	9 1/2"
Oxen (OX)	54"	40	25.3	X	X	X			X				X	X	X		-20°	250,000	N/A
Phoenix (PH)	54"	30	36.5	X	X	X	X	X	X	X	X	X	X	X	X	X	-20°	250,000	N/A
Rogue II (RU)	54"	30	33.5	X	X	X			X				X	X	X		-20°	250,000	N/A
Southampton (SN)	54"	30	34.0	X	X	X	X	X	X	X	X	X	X	X	X	X	-20°	250,000	13"
Spirit Millennium (US)	54"	30	37.0	X	X	X	X	X	X	X	X	X	X	X	X	X	-20°	250,000	N/A
Sta-Soft (STA)	54"	30	28.5	X	X	X	X		X				X	X	X	X	-20°	250,000	N/A
Stratford/Surfside (SF)	54"	30	29.7	X	X	X	X		X				X	X	X	X	-20°	250,000	N/A
Twilight (TL)	54"	30	33.3	X	X	X	X	X	X	X	X	X	X	X	X	X	-20°	250,000	N/A
Universal (MT)	54"	40	26.0	X	X	X	X		X				X	X	X	X	-20°	250,000	N/A
Zodiac (ZD)	54"	30	36.3	X	X				X				X	X			-20°	250,000	N/A

### Disinfectability

Naugahyde with Advanced BeautyGard® has been formulated to achieve a superior level of disinfectability with disinfectant products containing sodium hypochlorite (common household bleach) diluted 1:10.

### Serviceability

Naugahyde with Advanced BeautyGard® provides outstanding protection in difficult medical and healthcare environments.

- This product contains agents to protect it against bacterial and fungal micro-organisms.



Advanced BeautyGard® protective top coat finish is produced from environmentally friendly materials and processes and is technically formulated to achieve the highest performance standards.



Visit our website at: <http://www.naugahyde.com>

NATIONAL SALES OFFICE (877) 628-4248 OR (574) 773-5983  
UNIROYAL ENGINEERED PRODUCTS, LLC  
1001 N. MAIN, SUITE 6  
NAPPANEE, IN 46550



CUSTOMER SERVICE (800) 873-8800 OR (608) 873-6631  
UNIROYAL ENGINEERED PRODUCTS, LLC  
501 SOUTH WATER STREET  
STOUGHTON, WI 53589-2481

FOR MEMO SAMPLES CALL (800) 873-8800

A large area of the page is filled with horizontal dashed lines, providing a space for handwritten notes.



BEAVERSTATE DENTAL SYSTEMS

115 S. Elliott Rd.

Newberg, OR 97132

800.237.2303

[www.beaverstatedental.com](http://www.beaverstatedental.com)

